

Rotational Position Transducer

Precision Potentiometric Output
Ranges: 0-45° to 0-200 Turns
Industrial Grade

RT8101



Specification Summary:

GENERAL

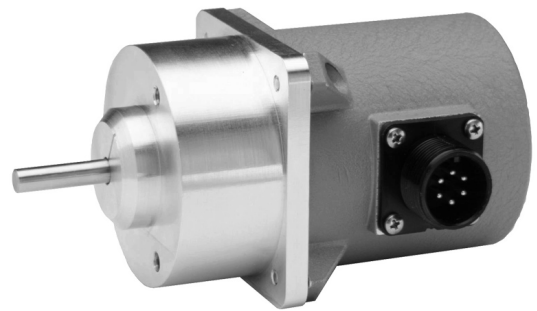
Full Stroke Range Options 0-0.125 to 0-200 turns
 Output Signal Options voltage divider (potentiometer)
 Accuracy *see ordering information*
 Repeatability $\pm 0.02\%$ full stroke
 Resolution essentially infinite
 Enclosure Material Options powder-painted aluminum or stainless steel
 Sensor plastic-hybrid precision potentiometer
 Potentiometer Cycle Life *see ordering information*
 Shaft Loading up to 10 lbs. radial and 5 lbs. axial
 Starting Torque (25°C) 2.0 in.-oz., max.
 Weight, Aluminum (Stainless Steel) Enclosure 3 lbs. (6 lbs.) max.

ELECTRICAL

Input Resistance Options 500, 1K, 5K, 10K or bridge, *see ordering information*
 Power Rating, Watt 2.0 at 70°F derated to 0 at 250°
 Recommended Maximum Input Voltage 30 V (AC/DC)
 Output Signal Change Over Full Stroke Range 94% $\pm 4\%$ of input voltage

ENVIRONMENTAL

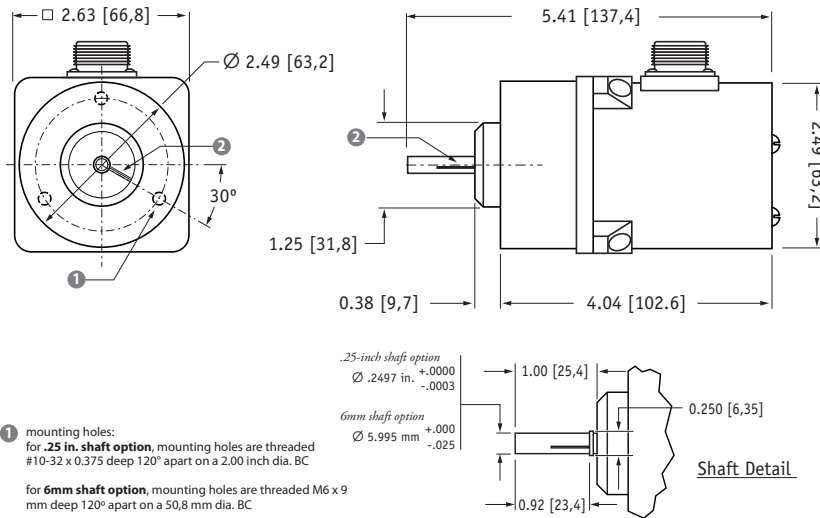
Enclosure NEMA 4/4X/6, IP 67/68
 Operating Temperature -40° to 200°F (-40° to 90°C)
 Vibration up to 10 G's to 2000 Hz maximum



Celesco's model RT8101 provides a voltage feedback signal for rotational position. The sensing element of this device is a precision plastic-hybrid potentiometer which provides superb linearity and resolution.

The RT8101 provides extended rotational position feedback from as little as 1/8 of a turn f.s. all the way up to 200 turns f.s. Because the sensor is potentiometric, the RT8101 is absolute and will maintain position information even after a loss of power.

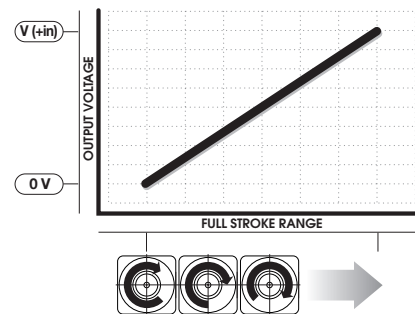
Outline Drawing



- 1 mounting holes:
for **.25 in. shaft option**, mounting holes are threaded #10-32 x 0.375 deep 120° apart on a 2.00 inch dia. BC
- for **6mm shaft option**, mounting holes are threaded M6 x 9 mm deep 120° apart on a 50,8 mm dia. BC
- 2 reference mark:
full counter-clockwise position - align mark on shaft to mark on face for start of measurement range

ALL DIMENSIONS ARE IN INCHES [MM]

Output Signal



Ordering Information:

Model Number:

RT8101- _____ **1** _____ **0**
order code: R A B C D E F G

Sample Model Number:

RT8101 - 0005 - 111 - 1110

- R** range: 5 turns (clockwise shaft rotations)
- A** enclosure: aluminum
- B** shaft diameter: .25 inches
- C** mounting style: face mount
- D** output signal: 500 ohm potentiometer
- E** electrical connection: 6-pin plastic connector

Full Stroke Range:

R order code:	R125	OR25	OR50	0001	0002	0003	0005	0010	0020
clockwise shaft rotations, min:	0.125	0.25	0.50	1	2	3	5	10	20
accuracy (% of f.s.):	1.25%	1.25%	0.5%	0.5%	0.5%	0.2%	0.2%	0.15%	0.15%
potentiometer cycle life*:	2.5 x 10 ⁶	2.5 x 10 ⁶	2.5 x 10 ⁶	2.5 x 10 ⁶	2.5 x 10 ⁶	5 x 10 ⁵	5 x 10 ⁵	2.5 x 10 ⁵	2.5 x 10 ⁵





R order code:	0030	0040	0050	0080	0100	0120	0140	0180	0200
clockwise shaft rotations, min:	30	40	50	80	100	120	140	180	200
accuracy (% of f.s.):	0.15%	0.15%	0.15%	0.15%	0.15%	0.15%	0.15%	0.15%	0.15%
potentiometer cycle life*:	2.5 x 10 ⁵	2.5 x 10 ⁵	2.5 x 10 ⁵	2.5 x 10 ⁵	2.5 x 10 ⁵	2.5 x 10 ⁵	2.5 x 10 ⁵	2.5 x 10 ⁵	2.5 x 10 ⁵

*—number of times the sensor shaft can be cycled back and forth from beginning to end and back to the beginning before any measurable signal degradation may occur.

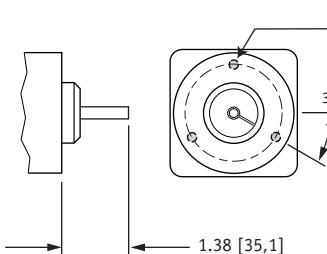
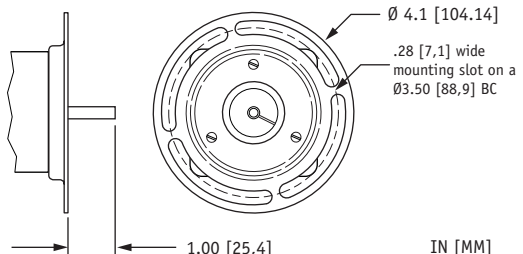
Enclosure Material:

A order code:	1	2
	powder-painted aluminum	303 stainless steel

Shaft Diameter:

B order code:	1	2	3	4
	0.25-in. diameter	6 mm diameter	0.25-in. dia. w/flats	6 mm dia. w/flats
				
	.2497 in. (+.0000 - .0003)	5.995 mm (+.000 - .025)	0.33 in. 0.025 in.	8.4 mm 0.64 mm

Mounting Style:

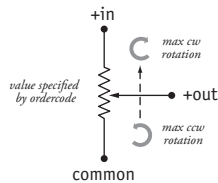
C order code:	1	2
	face mount	flange mount
		
	1.38 [35,1]	1.00 [25,4]
	mounting holes spaced 120° apart on 2.00 [50,8] BC 6mm shaft option threaded M6 x 9 mm deep .25 in. shaft option #10-32 x 0.375 inch deep	Ø 4.1 [104.14] .28 [7,1] wide mounting slot on a Ø3.50 [88,9] BC

Ordering Information:

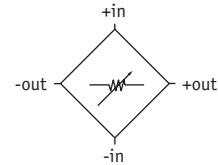
Output Signals:

1	2	3	4	5
order code:	500 ohm*	1000 ohm*	5000 ohm*	10,000 ohm*
available ranges:	all ranges	not available for .125-turn (R125) and .25-turn (OR25) range options	adjustable bridge (0...30 mV/V)	
*tolerance = ±10%				

circuit options: 1, 2, 3, 4



circuit option: 5 (adjustable bridge)



full scale output: adjustable from 0 to 30mV/V
zero adjust: from factory set zero to 50% of full stroke

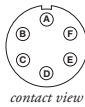
Electrical Connection:

1	2	3	4
order code:			
6-pin plastic connector w/mating plug IP 67, NEMA 4X**, 6	10-ft. [3 M] waterproof cable IP 67, NEMA 4X**, 6	6-pin metal connector w/mating plug IP 65, NEMA 4	25-ft. [7.5 M] instrumentation cable IP 67, NEMA 6
 1/2 - 5/16" [14 - 8 mm] cable dia. 16 AWG max conductor size connector: MS3102E-14S-6P mating plug: MS3106E-14S-6S	 10 ft. x 0.4-in. dia. [3 M x 10 mm dia.] 18 AWG, type SJTW	 3/8-in. [9 mm] max cable dia. 16 AWG max conductor size connector: MS3102E-14S-6P mating plug: MS3106E-14S-6S	 25 ft. x 0.2-in. dia. [7.5 M x 5 mm dia.] 24 AWG, shielded

5	6	7
order code:		
100-ft. [30 M] waterproof cable IP 67, NEMA 4X**, 6	10-ft. [3 M] pressure tested* waterproof cable IP 68, NEMA 4X**, 6P	100-ft. [30 M] pressure tested* waterproof cable IP 68, NEMA 4X**, 6P
 100 ft. x 0.4-in. dia. [30 M x 10 mm dia.] 18 AWG, type SJTW	 10 ft. x 0.4-in. dia. [3 M x 10 mm dia.] 18 AWG, type SJTW	 100 ft. x 0.4-in. dia. [30 M x 10 mm dia.] 18 AWG, type SJTW

6-pin Mating Plug

pin	standard	bridge
A	+ in	+ in
B	common	- in
C	+ out	- out
D	-	+ out



Waterproof Cable

color code	standard	bridge
WHITE	+ in	n/a
BLACK	common	n/a
GREEN	+ out	n/a

Instrumentation Cable

color code	standard	bridge
RED	+ in	+ in
BLACK	common	- in
GREEN	+ out	+ out
WHITE	-	- out

Notes: { * -Test pressure: 100 feet [30 meters] H₂O (40 PSID); Test Medium: Air; Duration: 2 hours.
** -NEMA 4X applies to stainless steel enclosure only.