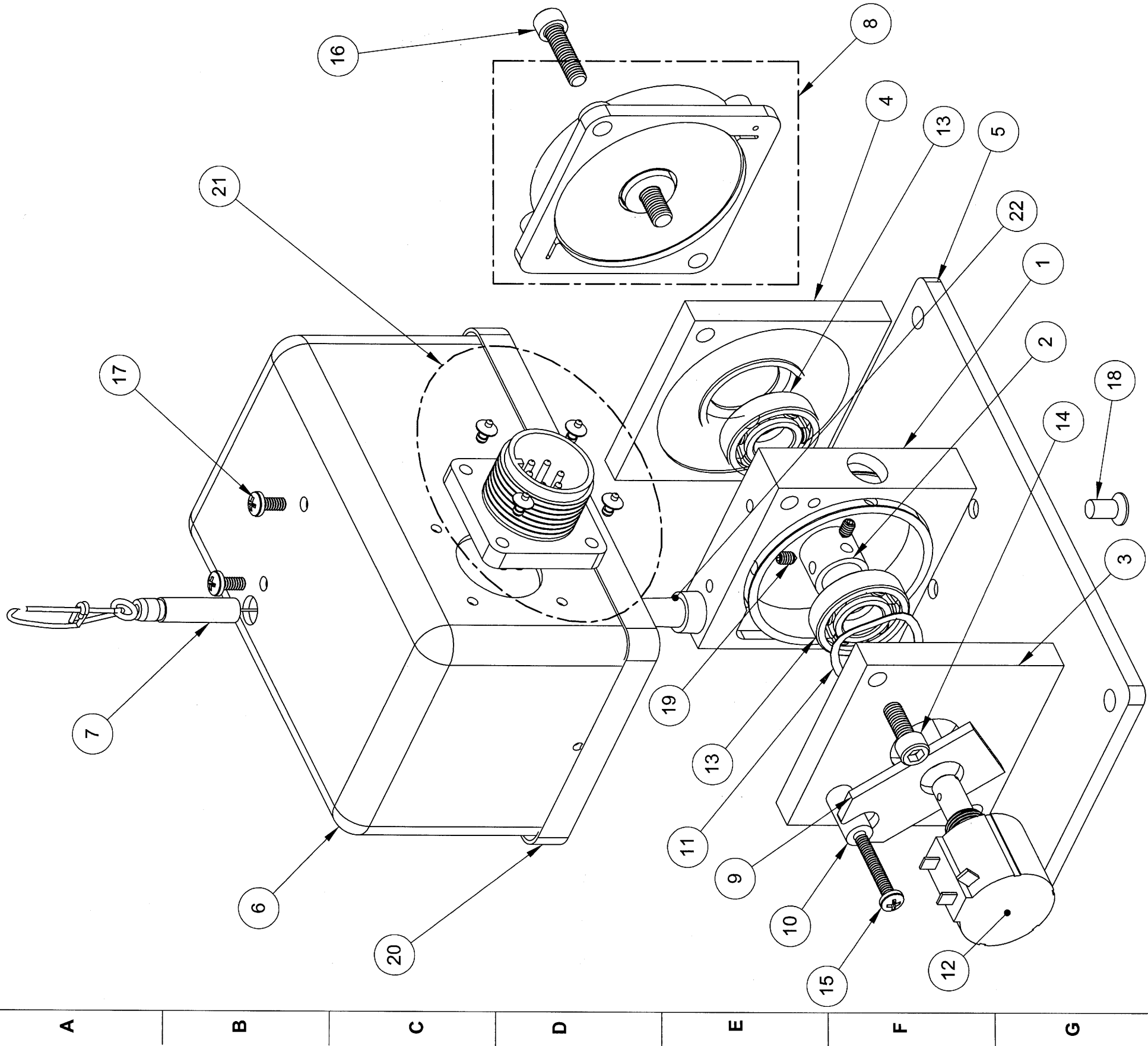


REV.	DESCRIPTION	DATE	APPROVED
C	SEE DCN: 8123	5/16/2011	<i>N.O.</i>

1	2	3	4	5	6	7	8	9	10
---	---	---	---	---	---	---	---	---	----

ORIGINAL



ITEM NO.	PART NUMBER	DESCRIPTION	QTY
22	9676792-0000	GUIDE, CABLE, MOLDED NYLON	1
21	SEE SHEET 4	CONNECTOR	1
20	9000320-0003	GASKET, RUBBER, PSNXDCR	AR
19	9011264-4404	SSCR, 0.112-40X3/16, SKT HD, BLOX	2
18	9650444-0193	MSCR CRES 0.164-32X0.31 XRSFLH	2
17	SEE TABLE 1	MSCR CRES, XRSPNH	2
16	SEE TABLE 3	CSCR .164-32, SKT HD, ST STL	2
15	9650444-0121	MSCR CRES 0.112-40X0.75 XRSPNH	1
14	9650444-0216	CSCR .164-32X.44 SKT HD, ST STL	2
13	9000410-0001	BEARING .375 X .875 PER 650627	2
12	SEE TABLE 2	POTENTIOMETER	1
11	9650619-0000	WASHER, WAVE, .700 IDX0.010THK	1
10	9679942-0000	SPCR, 1/4OD, #4X.50LG, PER 679942	1
9	9679940-0000	BRACKET, POT, PT1A	1
8	SEE TABLE 1	SUBASSY, SPNG, PT101	1
7	SEE TABLE 1	SUBASSY, CABLE, 0.019 PER 603755	1
6	SEE TABLE 1	COVER, PT101	1
5	SEE TABLE 1	BASEPLATE, PSNXDCR, AL,	1
4	9673531-0001	PLATE, SPG-MTG SIDE, PT101-BLACK	1
3	9670152-0000	PLATE, POT-MTG SIDE, PT101-BLACK	1
2	SEE TABLE 1	SPOOL, ALUM, PT101	1
1	SEE TABLE 1	FRAME, PSNXDCR	1

INFORMATION AND DATA SET FORTH HEREIN ARE DISCLOSED IN CONFIDENCE AND ARE PROPRIETARY TO AND THE PROPERTY OF CELESCO TRANSDUCER PRODUCTS INC. AND SHALL NOT BE USED, DUPLICATED, DISCLOSED OR TRANSFERRED, IN WHOLE OR IN PART, FOR ANY PURPOSE, WITHOUT THE EXPRESS PRIOR WRITTEN CONSENT OF CELESCO TRANSDUCER PRODUCTS INC.

celesco
20630 Plummer St
Chatsworth, CA, 91311
Tel: (818) 701-2750 Fax: (818) 701-2799
www.celesco.com

Transducer Products Inc.

ASSEMBLY DRAWING
PT101 SERIES, 2-60 INCH

THIRD ANGLE PROJECTION

APPROVALS: A. ALVAREZ 03/02/09
CHKD: *Steff*

DATE: 03/02/09

SIZE: B
CODE IDENT. NO: DWG. NO. PS-162
REV: C

SCALE: 1:1
SHEET 1 OF 8

TABLE 1 (POTENTIOMETER ONLY)

	TOP CABLE EXIT					
	2,10,20 INCH	5,25,50 INCH	15,30 INCH	40 INCH	60 INCH	
A	COVER - 6 PIN NYLON - 6 PIN METAL - 25 FT CABLE	9673984-0001	9673985-0001	9673984-0002	9673985-0002	9673920-0000
	COVER TERMINAL STRIP	9674424-0001	9674424-0003	9674424-0002	9674424-0004	9677198-0000
	BASEPLATE	9673987-0000	9673987-0000	9673987-0000	9673987-0000	9673921-0000
	FRAME	9673966-0003	9673967-0002	9673966-0004	9676285-0001	9674184-0002
	SCREW, COVER	9007121-4405	9007121-4405	9007121-4405	9007121-4405	9007121-4405
	COVER - 6 PIN NYLON - 6 PIN METAL - 25 FT CABLE	9674195-0000	9674195-0000	9674195-0000	9674195-0000	9678169-0000
	COVER TERMINAL STRIP	9679831-0000	9679831-0000	9679831-0000	9679831-0000	9679929-0000
	BASEPLATE	9674194-0000	9673987-0000	9673987-0000	9673987-0000	9673921-0000
	FRAME	9674193-0001	9673967-0002	9673966-0004	9676285-0001	9674184-0002
	SCREW, COVER	9007121-8305	9007121-8305	9007121-8305	9007121-8305	9007121-8305
B	COVER - 6 PIN NYLON - 6 PIN METAL - 25 FT CABLE	9677754-0000	9677754-0003	9677754-0001	9677754-0002	9677978-0000
	COVER TERMINAL STRIP	N/A	N/A	N/A	N/A	N/A
	BASEPLATE	9673987-0000	9673987-0000	9673987-0000	9673987-0000	9673921-0000
	FRAME	9674405-0001	9674405-0003	9674405-0002	9677755-0000	9674835-0000
	SCREW, COVER	9007121-8305	9007121-8305	9007121-8305	9007121-8305	9007121-8305
	COVER - 6 PIN NYLON - 6 PIN METAL - 25 FT CABLE	9674403-0001	9674403-0003	9674403-0002	9674403-0004	9674836-0000
	COVER TERMINAL STRIP	9677753-0001	9677753-0003	9677753-0002	9677753-0004	9679753-0000
	BASEPLATE	9674404-0000	9674404-0000	9674404-0000	9674404-0000	9673921-0000
	FRAME	9674405-0001	9674405-0003	9674405-0002	9677755-0000	9674835-0000
	SCREW, COVER	9007121-4405	9007121-4405	9007121-4405	9007121-4405	9007121-4405
F	SPOOL	9678341-0001	9678341-0004	9678341-0002	9678341-0003	9674185-0000
	CABLE KIT	4 9603755-XXXX				

TABLE 2

	2 AND 5 INCH	10,15 AND 25 INCH	20,30,40,50, AND 60 INCH
POTENTIOMETER 500 Ω	1 TURN 9083000-0052	5 TURN 9085000-0004	10 TURN 9085000-0003
POTENTIOMETER 1K Ω	1 TURN 9083000-0053	5 TURN 9085000-0011	10 TURN 9085000-0006
POTENTIOMETER 5K Ω	1 TURN 9080000-0001	5 TURN 9085000-0013	10 TURN 9085000-0010
POTENTIOMETER 10K Ω	1 TURN 9080000-0003	5 TURN 9085000-0001	10 TURN 9085000-0002

FORM 7.3_9_PS template in (B-size)

CONTROLLED

TABLE 3

	2 THRU 50 IN	60 INCH	SPRING TURNS ¹
SPRING ASSY (STD TENSION)	9603902-0000 9650444-0213	9603557-0000 9650444-0218	13 (SEE FIG 1)
SPRING ASSY (HI TENSION)	9603569-0000 9650444-0218	9603569-0000 9650444-0218	5 (SEE FIG 2)

¹ SPRING TURNS REFERS TO TOTAL NUMBER OF SPRING TURNS AFTER MEASURING CABLE HAS BEEN FED ONTO SPOOL.

² LUBRICATE WITH 6 DROPS OF SILICONE OIL 9000000-0001 USING DISPENSER 9650601-0000.

³ APPLY 1-2 DROPS OF LOCTITE 425 USING DISPENSER TIP P/N: 9650602-0000, USE TORQUE WRENCH TO TORQUE TO 7.5-10 IN-LBS.

⁴ DASH NUMBER OF CABLE ASSEMBLY EQUALS THE RANGE OF THE TRANSDUCER IN INCHES.

ORIGINAL

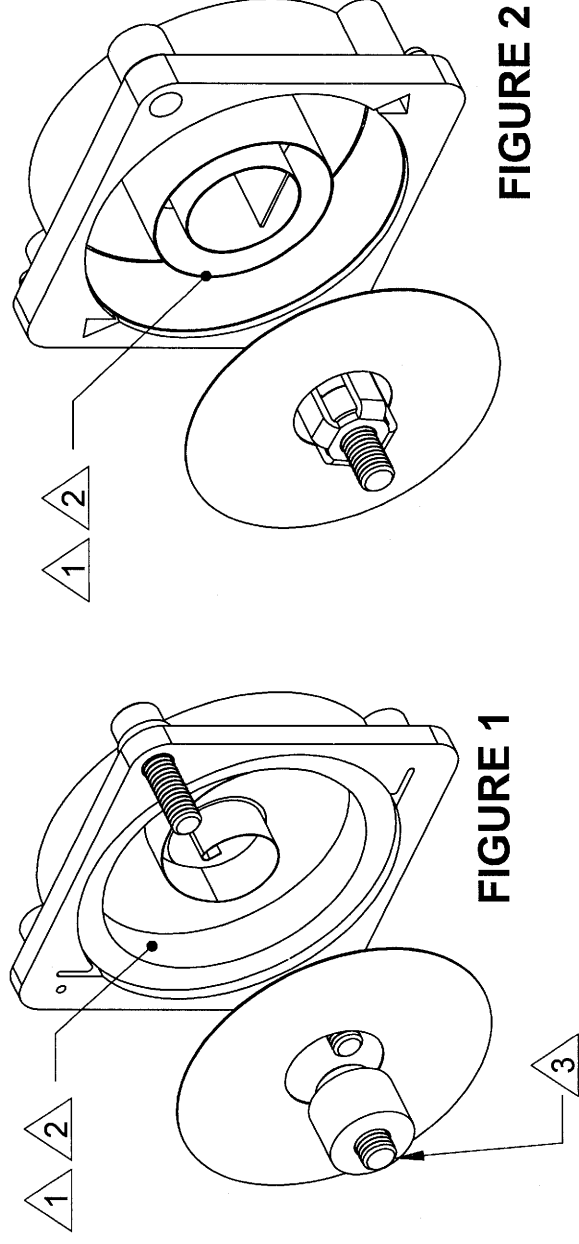
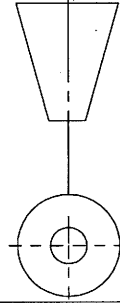


FIGURE 1

FIGURE 2

INFORMATION AND DATA SET FORTH HEREIN ARE DISCLOSED IN CONFIDENCE AND ARE PROPRIETARY TO AND THE PROPERTY OF CELESCO TRANSDUCER PRODUCTS INC. AND SHALL NOT BE USED, DUPLICATED, DISCLOSED OR TRANSFERRED, IN WHOLE OR IN PART, FOR ANY PURPOSE, WITHOUT THE EXPRESS PRIOR WRITTEN CONSENT OF CELESCO TRANSDUCER PRODUCTS INC.

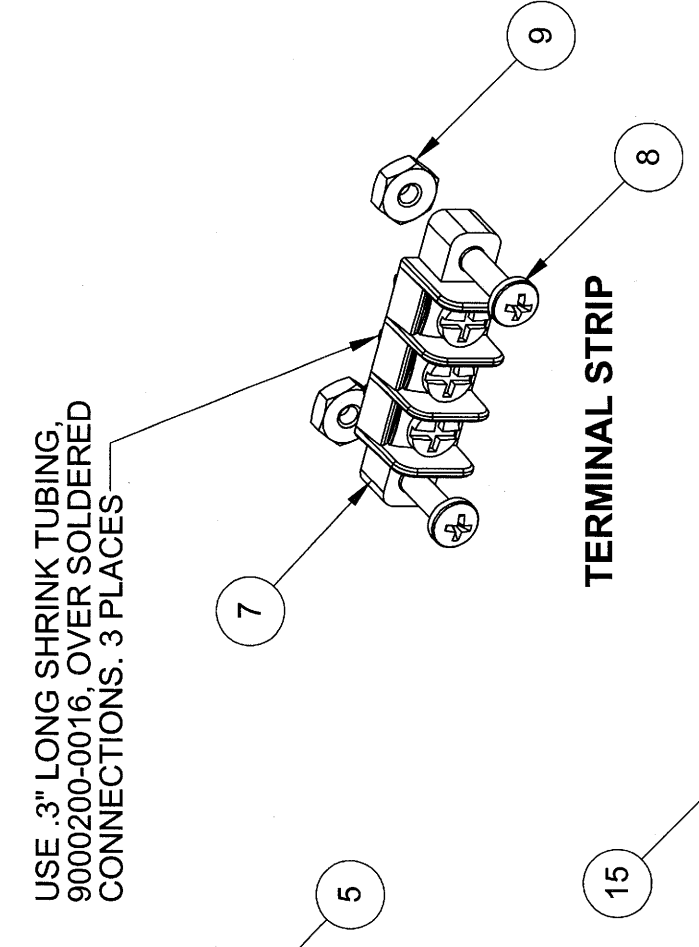
THIRD ANGLE PROJECTION
 20630 Plummer St
 Chatsworth, CA, 91311
 Tel:(618)701-2750 Fax:(618)701-2799
celesco
 Transducer Products Inc.
 www.celesco.com



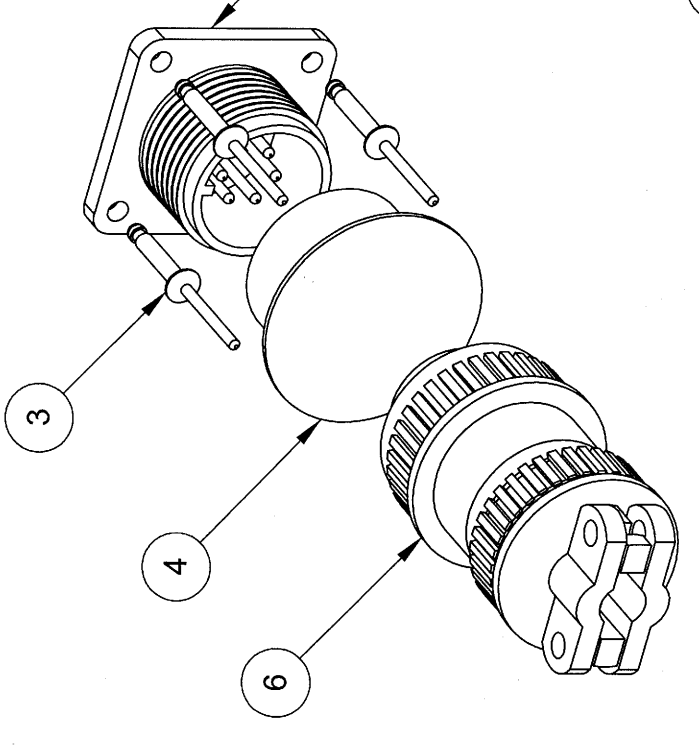
APPROVALS	DATE
DRAWN A. ALVAREZ	03/02/09
CHKD <i>[Signature]</i>	8/16/11
DO NOT SCALE DRAWING	SCALE: 1:2
	SHEET 2 OF 8

ASSEMBLY DRAWING
PT101 SERIES, 2-60 INCH

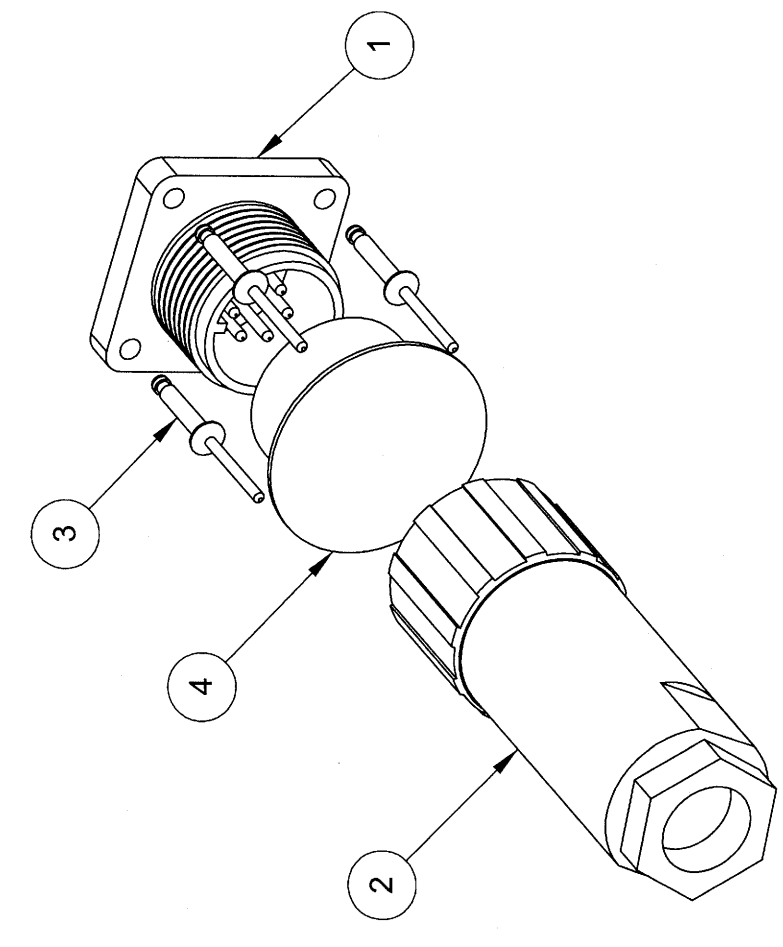
SIZE **B** CODE IDENT. NO. **PS-162** REV **C**



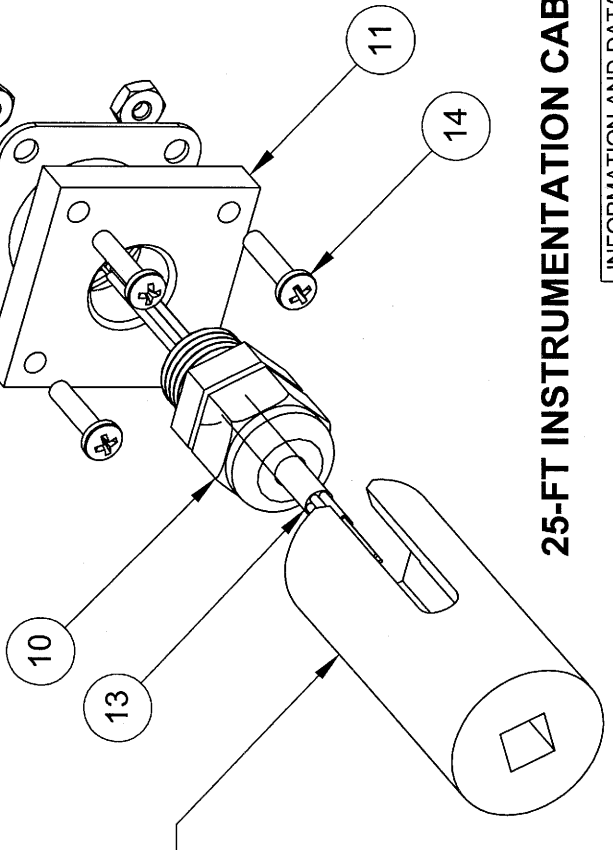
TERMINAL STRIP



6 PIN METAL CONNECTOR



6 PIN PLASTIC CONNECTOR



25-FT INSTRUMENTATION CABLE

ORIGINAL

INFORMATION AND DATA SET FORTH HEREIN ARE DISCLOSED IN CONFIDENCE AND ARE PROPRIETARY TO AND THE PROPERTY OF CELESCO TRANSDUCER PRODUCTS INC. AND SHALL NOT BE USED, DUPLICATED, DISCLOSED OR TRANSFERRED, IN WHOLE OR IN PART, FOR ANY PURPOSE, WITHOUT THE EXPRESS PRIOR WRITTEN CONSENT OF CELESCO TRANSDUCER PRODUCTS INC.

celesco
20630 Plummer St.
Chatsworth, CA, 91311
Tel:(618)701-2750 Fax:(618)701-2799
www.celesco.com

Transducer Products Inc.

ASSEMBLY DRAWING
PT101 SERIES, 2-60 INCH

THIRD ANGLE PROJECTION

APPROVALS: A. ALVAREZ DATE: 03/02/09

SIZE: B CODE IDENT. NO: DWG. NO. PS-162 REV C

DO NOT SCALE DRAWING SCALE: 1:1 SHEET 3 OF 8

ITEM NO.	PART NUMBER	DESCRIPTION	QTY.
15	9001221-4411	NUT CRES 0.112-40 HEX	4
14	9007121-4409	MSCR CRES 0.112-40X0.50 XRSPNH	4
13	9000141-0026	CABLE,6COND,24GA,PER 650464	25FT
12	9000320-0006	GASKET,FLANGED CONN,14 SHELL	1
11	9670137-0001	ADAPTER,CONNECTOR,ALUM	1
10	9032000-0015	STRAIN RELIEF,LIQ-TIGHT,GRAY	1
9	9001221-8311	NUT CRES 0.164-32 HEX	4
8	9007121-8309	MSCR CRES 0.164-32X0.50 XRSPNH	4
7	9034300-0029	BLOCK, TERMINAL, 3POS., 325 CNTRS	1
6	9036810-0001	CONN,PLUG,STR,14 SHELL,6 SKT	1
5	9035810-0001	CONN,RCPT,BOX-MTG,14SHELL,6PIN	1
4	9640087-0004	CAP,DUST,POLYETHYLENE,RED	1
3	9650479-0000	RIVET,POP,PER 650479	4
2	9036830-0001	CONN,PLUG,STR,14 SHELL,6 SKT	1
1	9035830-0001	CONN,RCPT,BOX-MTG,14SHELL,6PIN	1

1 2 3 4 5 6 7 8 9 10

PT101 (POTENTIOMETER ONLY)			
POTENTIOMETER			
CCW (1)	CW (3)	S (2)	
6 PIN PLASTIC CONNECTOR	A (RED)	B (BLACK)	C (GREEN)
6 PIN METAL CONNECTOR	A (RED)	B (BLACK)	C (GREEN)
TERMINAL STRIP	1 (RED)	2 (BLACK)	3 (GREEN)
C25 INSTRUMENTATION CABLE	RED	BLACK	GREEN

PT101 (FIXED AND ADJUSTABLE BRIDGE CIRCUIT)			
CONNECTOR WIRING FROM 9603980-0013 AND 9603980-0016			
	RED	BLACK	WHITE
6 PIN PLASTIC CONNECTOR	PIN A	PIN B	PIN C
6 PIN METAL CONNECTOR	PIN A	PIN B	PIN C
TERMINAL STRIP	NOT OFFERED		
C25 INSTRUMENTATION CABLE	RED	BLACK	WHITE
			GREEN

ORIGINAL

INFORMATION AND DATA SET FORTH HEREIN ARE DISCLOSED IN CONFIDENCE AND ARE PROPRIETARY TO AND THE PROPERTY OF CELESCO TRANSDUCER PRODUCTS INC. AND SHALL NOT BE USED, DUPLICATED, DISCLOSED OR TRANSFERRED, IN WHOLE OR IN PART, FOR ANY PURPOSE, WITHOUT THE EXPRESS PRIOR WRITTEN CONSENT OF CELESCO TRANSDUCER PRODUCTS INC.

celesco
20630 Plummer St
Chatsworth, CA. 91311
Tel: (818) 701-2750 Fax: (818) 701-2799
www.celesco.com

Transducer Products Inc.

THIRD ANGLE PROJECTION



TITLE
**ASSEMBLY DRAWING
PT101 SERIES, 2-60 INCH**

APPROVALS	DATE
DRAWN A. ALVAREZ	03/02/09
CHKD <i>[Signature]</i>	<i>[Signature]</i>

SIZE B CODE IDENT. NO. DWG. NO. PS-162 REV C

DO NOT SCALE DRAWING SCALE: 1:1 SHEET 5 OF 8

