

PT510 Installation Instructions

Rev 1.0

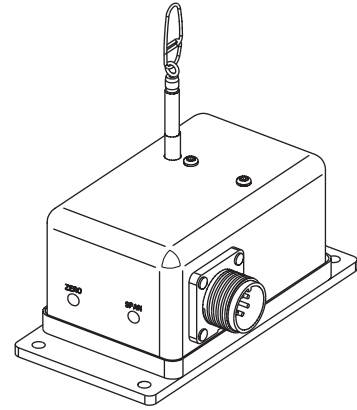


WARNING

Do not free release measuring cable!

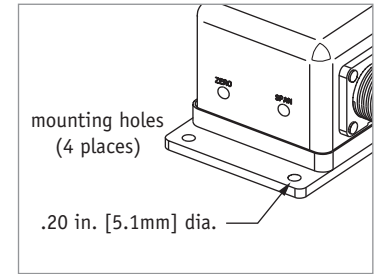
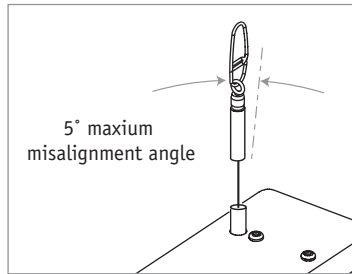
Do not over extend measuring cable!

Limit misalignment to 5° maximum!



MECHANICAL

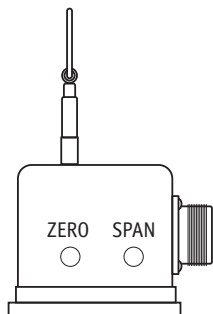
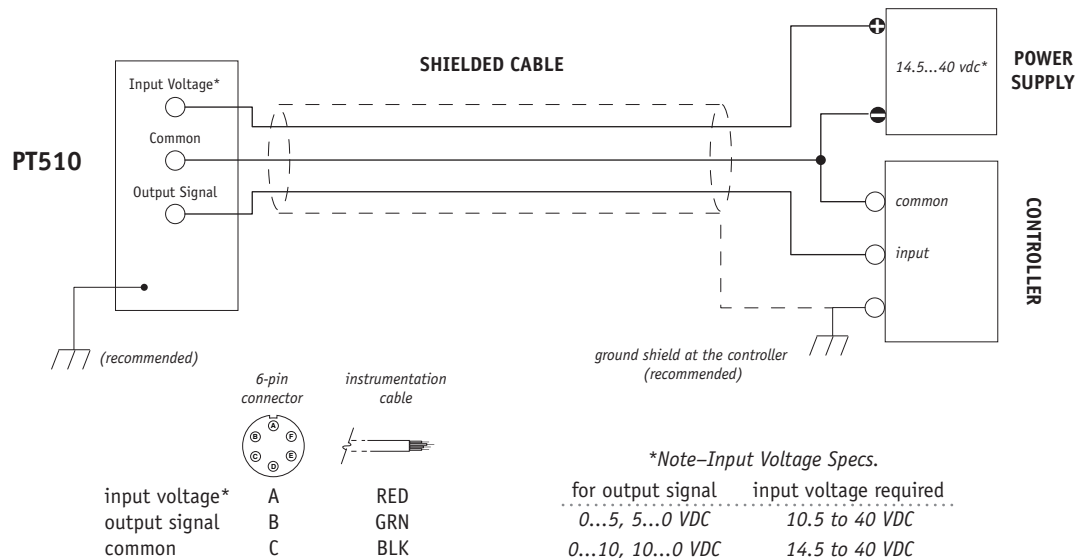
1. Mount transducer via the 4 mounting holes to a flat solid surface.
2. Connect measuring cable to moving object.



ELECTRICAL

3. Connect system wiring.
4. If desired, use the zero and span controls to calibrate to exact measurement range (see below).

System Wiring



Changing Calibrated Range

- i. Remove caplugs to reveal zero and span trimpots
- ii. Extend measuring cable to 0 VDC position and adjust zero pot.
- iii. Extend measuring cable to 10 VDC (or 5 VDC) position and adjust span pot
- iv. Repeat steps ii and iii.
- v. Replace plugs.