

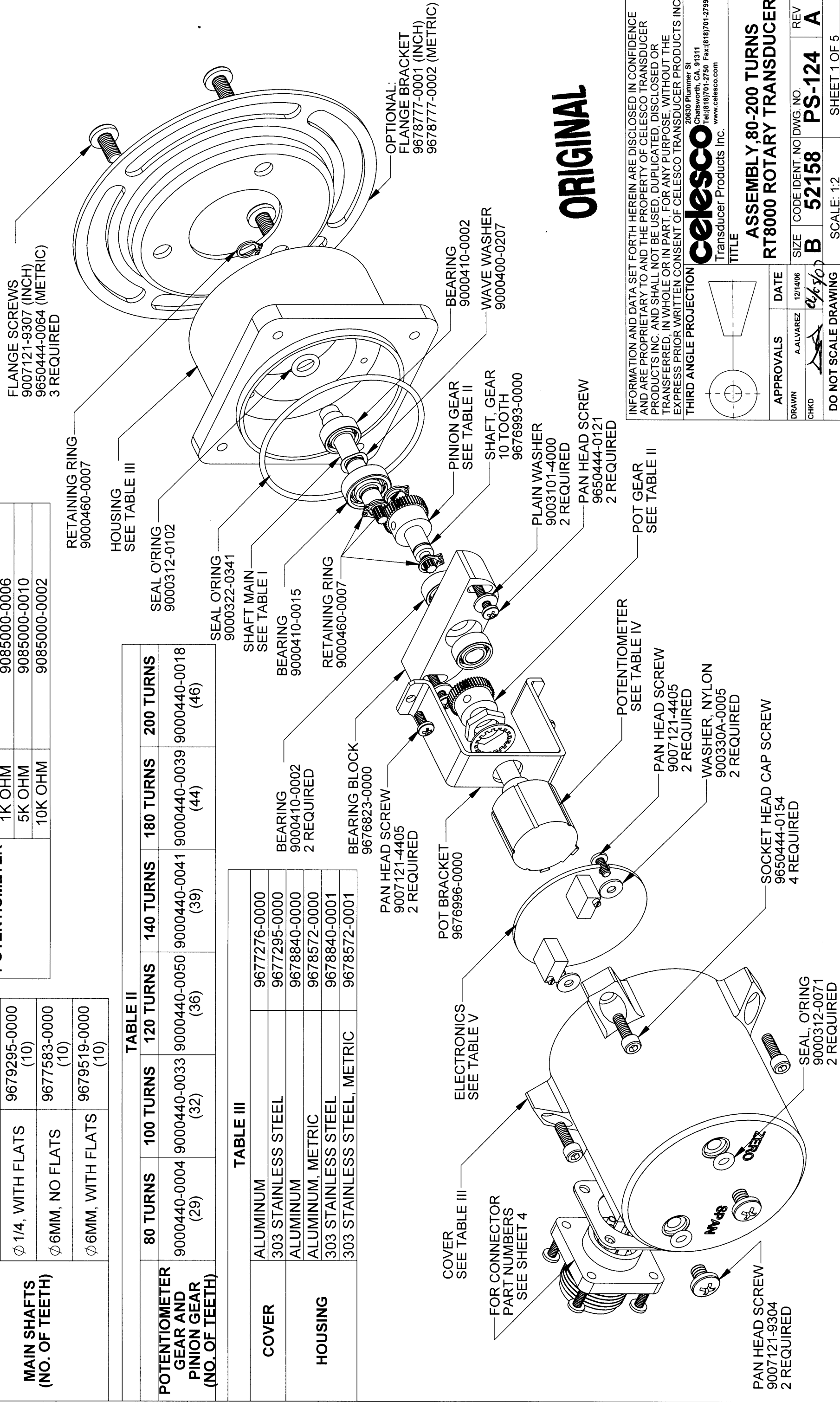
REV.	DESCRIPTION	DATE	APPROVED
A	RELEASE: SEE DCN 5430	12/12/2006	ASK

TABLE IV	
POTENTIOMETER	NUMBER OF SHAFT TURNS
	80 - 200 TURNS
	500 OHM
	9085000-0003
	1K OHM
	9085000-0006
	5K OHM
	9085000-0010
	10K OHM
	9085000-0002

TABLE I		80-200 TURNS
MAIN SHAFTS (NO. OF TEETH)	Ø 1/4, NO FLATS	9676992-0000 (10)
	Ø 1/4, WITH FLATS	9679295-0000 (10)
	Ø 6MM, NO FLATS	9677583-0000 (10)
	Ø 6MM, WITH FLATS	9679519-0000 (10)

TABLE II						
POTENTIOMETER GEAR AND PINION GEAR (NO. OF TEETH)	80 TURNS	100 TURNS	120 TURNS	140 TURNS	180 TURNS	200 TURNS
	9000440-0004 (29)	9000440-0033 (32)	9000440-0050 (36)	9000440-0041 (39)	9000440-0039 (44)	9000440-0018 (46)

TABLE III	
COVER	ALUMINUM 9677276-0000 303 STAINLESS STEEL 9677295-0000 ALUMINUM 9678840-0000 ALUMINUM, METRIC 9678572-0000 303 STAINLESS STEEL 9678840-0001 303 STAINLESS STEEL, METRIC 9678572-0001
HOUSING	



ORIGINAL

INFORMATION AND DATA SET FORTH HEREIN ARE DISCLOSED IN CONFIDENCE AND ARE PROPRIETARY TO AND THE PROPERTY OF CELESCO TRANSDUCER PRODUCTS INC. AND SHALL NOT BE USED, DUPLICATED, DISCLOSED OR TRANSFERRED, IN WHOLE OR IN PART, FOR ANY PURPOSE, WITHOUT THE EXPRESS PRIOR WRITTEN CONSENT OF CELESCO TRANSDUCER PRODUCTS INC.

celesco
20630 Plummer St
Chatsworth, CA, 91311
Tel: (818) 701-2750 Fax: (818) 701-2799
www.celesco.com

Transducer Products Inc.

**ASSEMBLY, 80-200 TURNS
RT8000 ROTARY TRANSDUCER**

THIRD ANGLE PROJECTION

APPROVALS	DATE
DRAWN A. ALVAREZ	12/14/06
CHKD <i>[Signature]</i>	

SIZE CODE IDENT. NO DWG. NO. REV

B 52158 PS-124 A

DO NOT SCALE DRAWING SCALE: 1:2 SHEET 1 OF 5

TABLE V

ELECTRONICS	2 WIRE, 4-20 mA PCB ASSEMBLY	RT8101	RT8420	RT8510	RT8CN	RT8DN
	3 WIRE, 0-20 mA PCB ASSEMBLY		9604068-0001			
	0-5 VDC PCB ASSEMBLY		9603662-0001	9603660-0001		
	0-10 VDC PCB ASSEMBLY			9603660-0000		
	0-30 mV ADJUSTABLE BRIDGE CIRCUIT	9603980-0013			9604012-0001	9604077-0001
CAN BUS PCB ASSEMBLY						
DEVICE NET PCB ASSEMBLY						

RT8101			
	POTENTIOMETER		
	CCW (1)	CW (3)	S (2)
6-PIN CONNECTOR	PIN A	PIN B	PIN C
INSTRUMENTATION CABLE	RED	BLACK	GREEN
WATERPROOF CABLE	WHITE	BLACK	GREEN
RT8DN AND RT8CN			
	3 PIN HARNESS 604019		
	WHITE	GREEN	BLACK
POTENTIOMETER	CCW (1)	S (2)	CW (3)

RT8420 (2 WIRE 4-20mA)			
	4-PIN HARNESS 604066		
	WHITE	BLACK	GREEN
6-PIN CONNECTOR	PIN A	PIN B	PIN D
INSTRUMENTATION CABLE	RED	BLACK	GREEN
WATERPROOF CABLE	WHITE	BLACK	GREEN
	3 PIN HARNESS 604019		
	WHITE	GREEN	BLACK
POTENTIOMETER	CCW (1)	S (2)	CW (3)

RT8420 3-WIRE (3-WIRE 4-20mA)			
	8-PIN HARNESS 604022 ON PC BOARD		
	RED	BLACK	GREEN
6-PIN CONNECTOR	PIN A	PIN B	PIN C
INSTRUMENTATION CABLE	RED	BLACK	GREEN
WATERPROOF CABLE	WHITE	BLACK	GREEN
	3-PIN HARNESS 604019 ON PC BOARD		
	GREEN	BLACK	WHITE
POTENTIOMETER	CCW (1)	CW (3)	S (2)

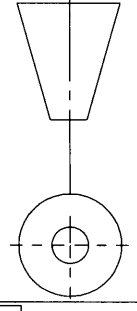
RT8510 (0-5 AND 0-10 VDC)			
	WIRES ON PC BOARD		
	RED	GREEN	BLACK
6-PIN CONNECTOR	PIN A	PIN B	PIN C
INSTRUMENTATION CABLE	RED	GREEN	BLACK
WATERPROOF CABLE	WHITE	GREEN	BLACK
	WIRES SOLDERED TO PC BOARD		
	WHITE (E3)	GREEN (E5)	BLACK (E4)
POTENTIOMETER	CCW (1)	S (2)	CW (3)

ORIGINAL

INFORMATION AND DATA SET FORTH HEREIN ARE DISCLOSED IN CONFIDENCE AND ARE PROPRIETARY TO AND THE PROPERTY OF CELESCO TRANSDUCER PRODUCTS INC. AND SHALL NOT BE USED, DUPLICATED, DISCLOSED OR TRANSFERRED, IN WHOLE OR IN PART, FOR ANY PURPOSE, WITHOUT THE EXPRESS, PRIOR WRITTEN CONSENT OF CELESCO TRANSDUCER PRODUCTS INC.

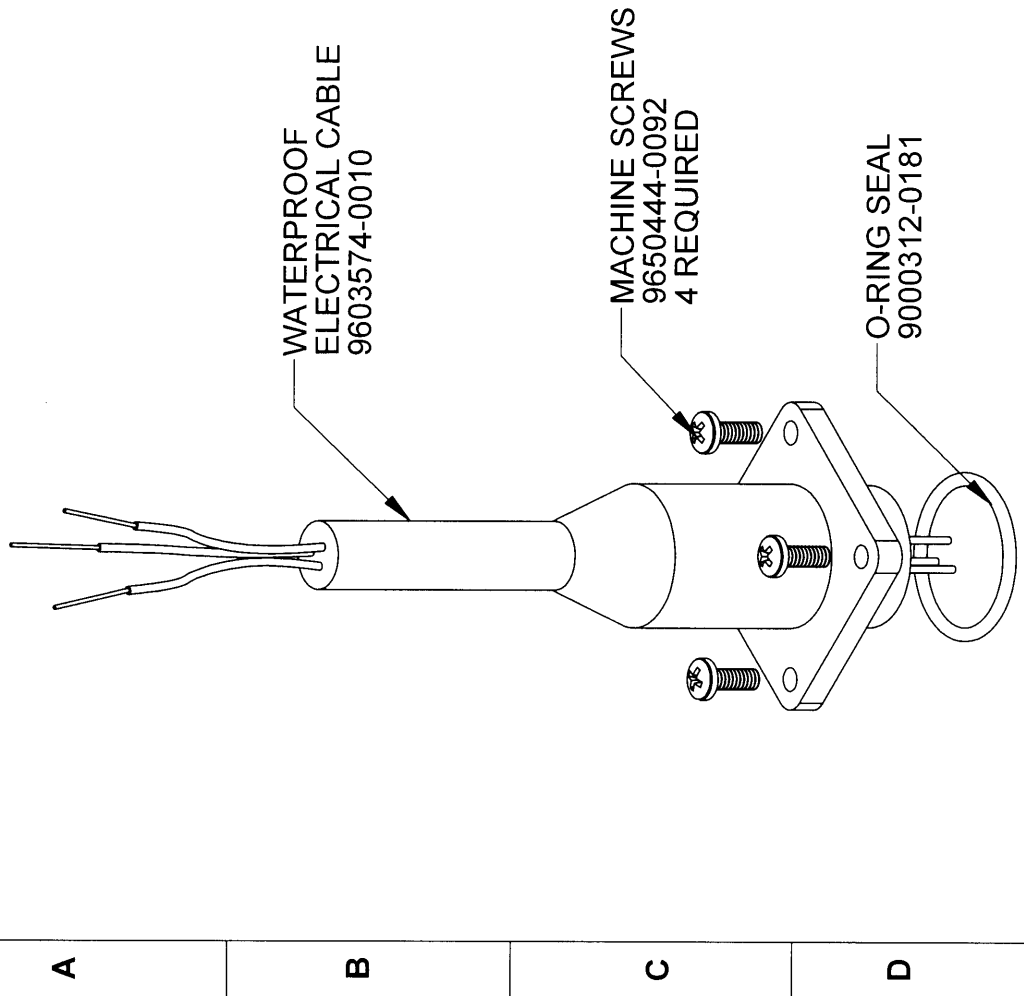
celesco
20630 Plummer St
Chatsworth, CA, 91311
Tel: (818) 701-2750 Fax: (818) 701-2799
www.celesco.com

Transducer Products Inc.

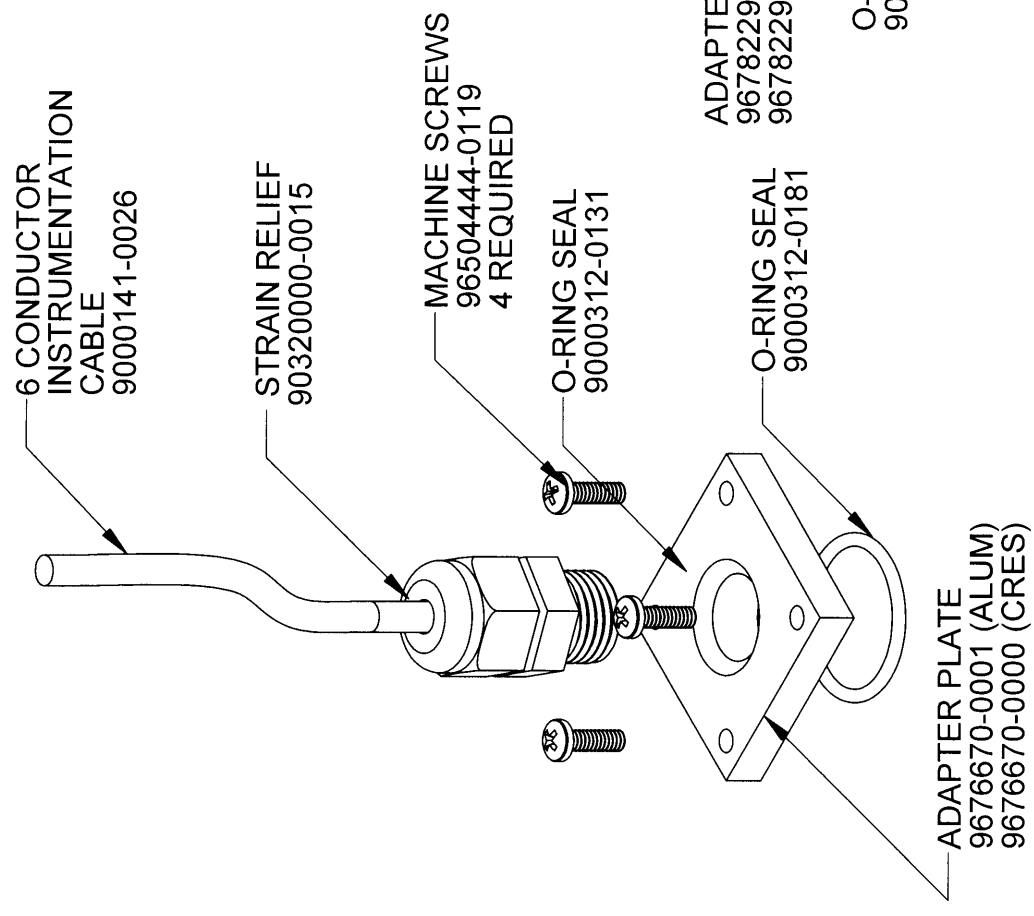


TITLE		ASSEMBLY, 80-200 TURNS RT8000 ROTARY TRANSDUCER	
APPROVALS	DATE	SCALE: 1:2	SHEET 2 OF 5
DRAWN A. ALVAREZ	12/14/06	SIZE B	CODE IDENT. NO 52158
CHKD [Signature]	09/16/07	DWG. NO. PS-124	REV A
DO NOT SCALE DRAWING			

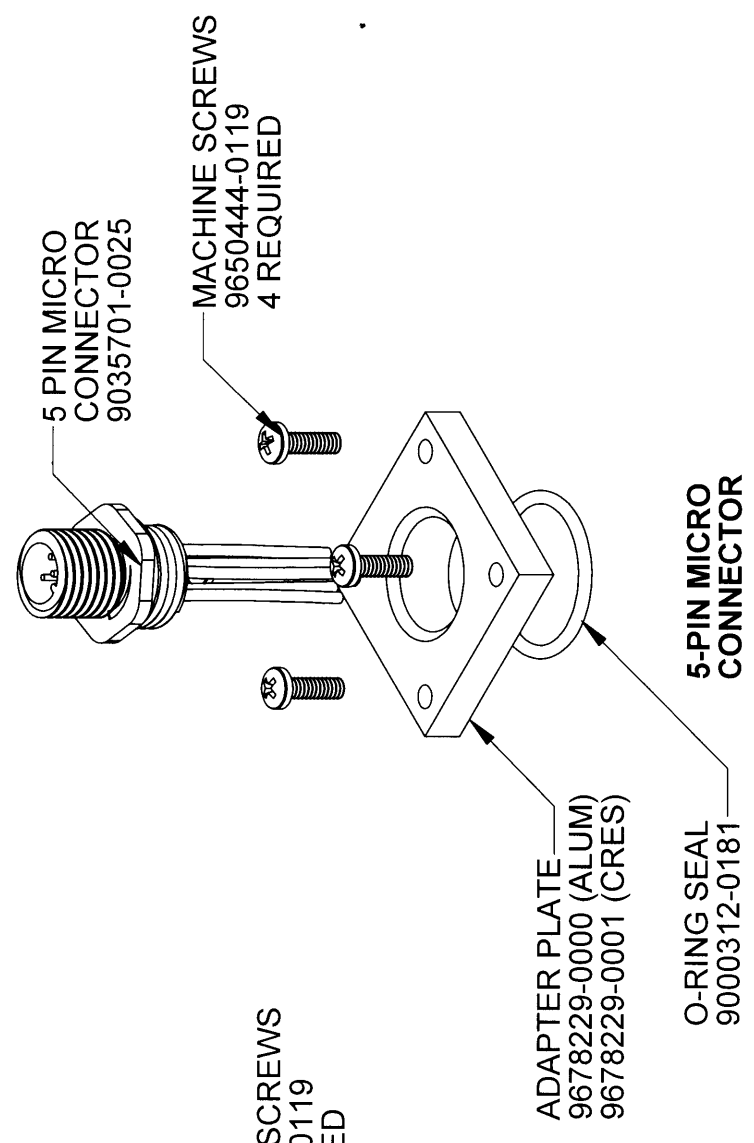
1 2 3 4 5 6 7 8 9 10



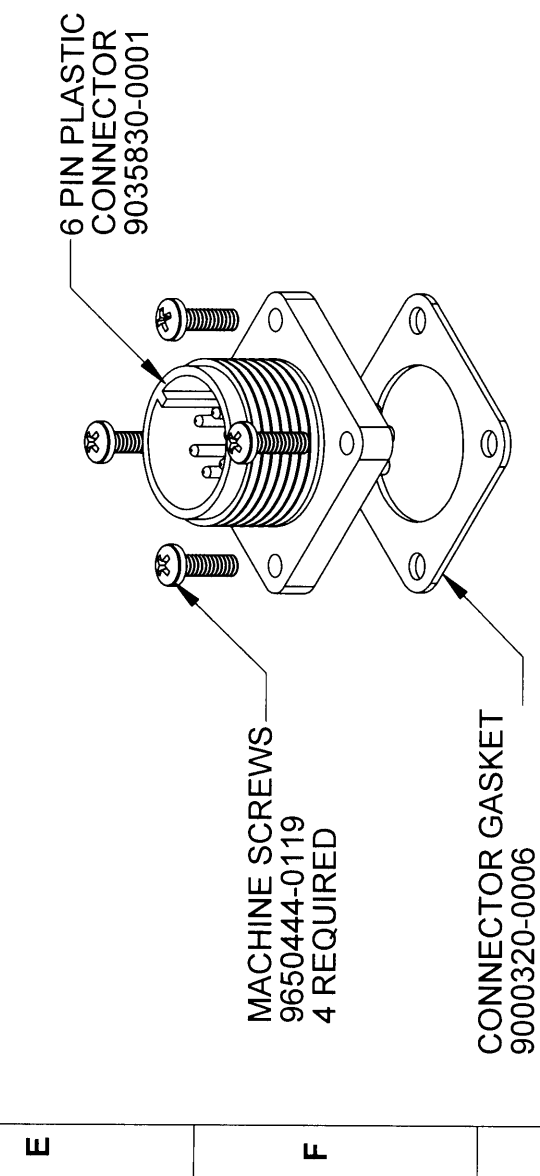
WATERPROOF ELECTRICAL CABLE



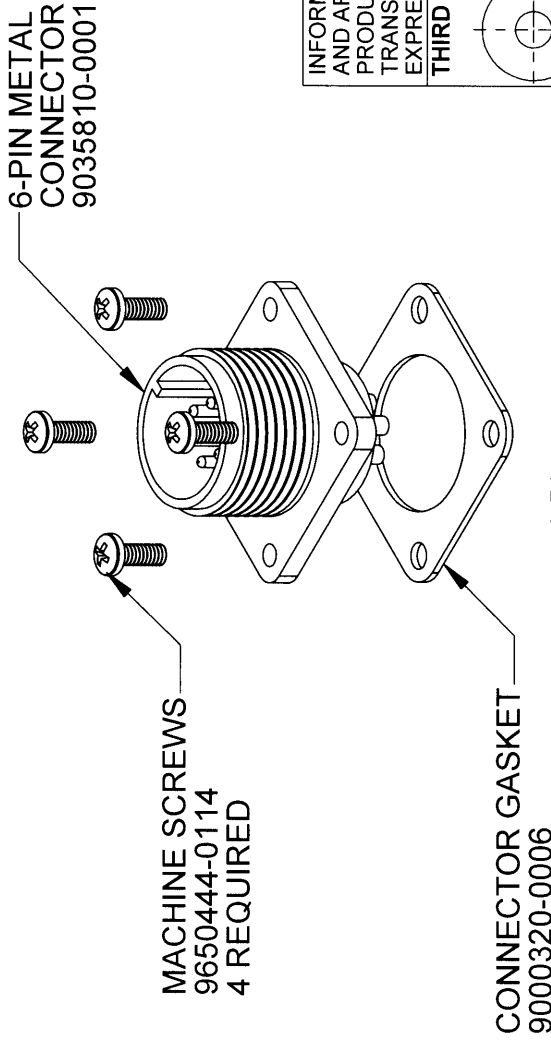
INSTRUMENTATION CABLE



5-PIN MICRO CONNECTOR



6 PIN PLASTIC CONNECTOR



6 PIN METAL CONNECTOR

ORIGINAL

INFORMATION AND DATA SET FORTH HEREIN ARE DISCLOSED IN CONFIDENCE AND ARE PROPRIETARY TO AND THE PROPERTY OF CELESCO TRANSDUCER PRODUCTS INC. AND SHALL NOT BE USED, DUPLICATED, DISCLOSED OR TRANSFERRED, IN WHOLE OR IN PART, FOR ANY PURPOSE, WITHOUT THE EXPRESS PRIOR WRITTEN CONSENT OF CELESCO TRANSDUCER PRODUCTS INC.

celesco
20630 Plummer St
Chatsworth, CA, 91311
Tel:(818)701-2750 Fax:(818)701-2799
www.celesco.com

Transducer Products Inc.

THIRD ANGLE PROJECTION

APPROVALS	DATE
DRAWN A. ALVAREZ	12/14/06
CHKD <i>[Signature]</i>	

TITLE
**ASSEMBLY, 80-200 TURNS
RT8000 ROTARY TRANSDUCER**

SIZE	CODE IDENT. NO	DWG. NO.	REV
B	52158	PS-124	A

DO NOT SCALE DRAWING SCALE: 1:2 SHEET 3 OF 5

1 2 3 4 5 6 7 8 9 10

USE PRIMER 7649 AND APPLY LOCTITE 222 ON THREADS.

STEEL GEAR:
 APPLY PRIMER 7649 TO SET SCREW AND GEAR, THEN APPLY LOCTITE 222 TO THREADS.
 PLASTIC GEAR:
 APPLY ONE DROP OF LOCTITE 425 INTO THE THREADS OF PLASTIC GEAR, THEN INSERT THE SET SCREW INTO GEAR. TIGHTEN 1/4 TO 1/2 TURN PAST INITIAL CONTACT.

USE PRIMER 7649 AND APPLY LOCTITE 222 ON THREADS

DO NOT USE LOCTITE ON THIS BEARING

APPLY LOCTITE 7649 TO OUTER RACE OF BEARING AND BORE OF HOUSING AND BLOCK. APPLY A SMALL AMOUNT OF LOCTITE 609 TO THE OUTER RACE OF BEARING.

APPLY A DROP OF LOCTITE 222 ON THE THREADS OF THE POT. TORQUE POT NUT TO 20-25 IN-LBS.

USE PRIMER 7649 AND APPLY LOCTITE 222 ON THREADED HOLES

USE PRIMER 7649 AND APPLY LOCTITE 222 ON THREADS

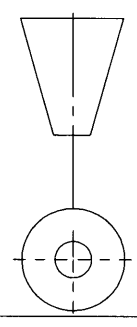
DO NOT USE LOCTITE ON THESE SCREWS

ORIGINAL

1 ALL O-RINGS TO BE ENTIRELY COATED USING PARKER SUPER-LUBE O-RING LUBRICANT.

INFORMATION AND DATA SET FORTH HEREIN ARE DISCLOSED IN CONFIDENCE AND ARE PROPRIETARY TO AND THE PROPERTY OF CELESCO TRANSDUCER PRODUCTS INC. AND SHALL NOT BE USED, DUPLICATED, DISCLOSED OR TRANSFERRED, IN WHOLE OR IN PART, FOR ANY PURPOSE, WITHOUT THE EXPRESS PRIOR WRITTEN CONSENT OF CELESCO TRANSDUCER PRODUCTS INC.

THIRD ANGLE PROJECTION
celesco
 20630 Plummer St
 Chatsworth, CA, 91311
 Tel:(818)701-2750 Fax:(818)701-2799
 www.celesco.com
 Transducer Products Inc.



TITLE
**ASSEMBLY, 80-200 TURNS
 RT8000 ROTARY TRANSDUCER**

APPROVALS	DATE	SIZE	CODE IDENT. NO	DWG. NO.	REV
DRAWN A. ALVAREZ	12/14/06	B	52158	PS-124	A
CHKD [Signature]	08/31/07	DO NOT SCALE DRAWING		SCALE: 1:2	SHEET 4 OF 5

FILE: 7.3_9 ANSI B, Issued Date: 08/31/04, Revision B

CONTROLLED

FORM 7.3_9, PS template in (B-size)

