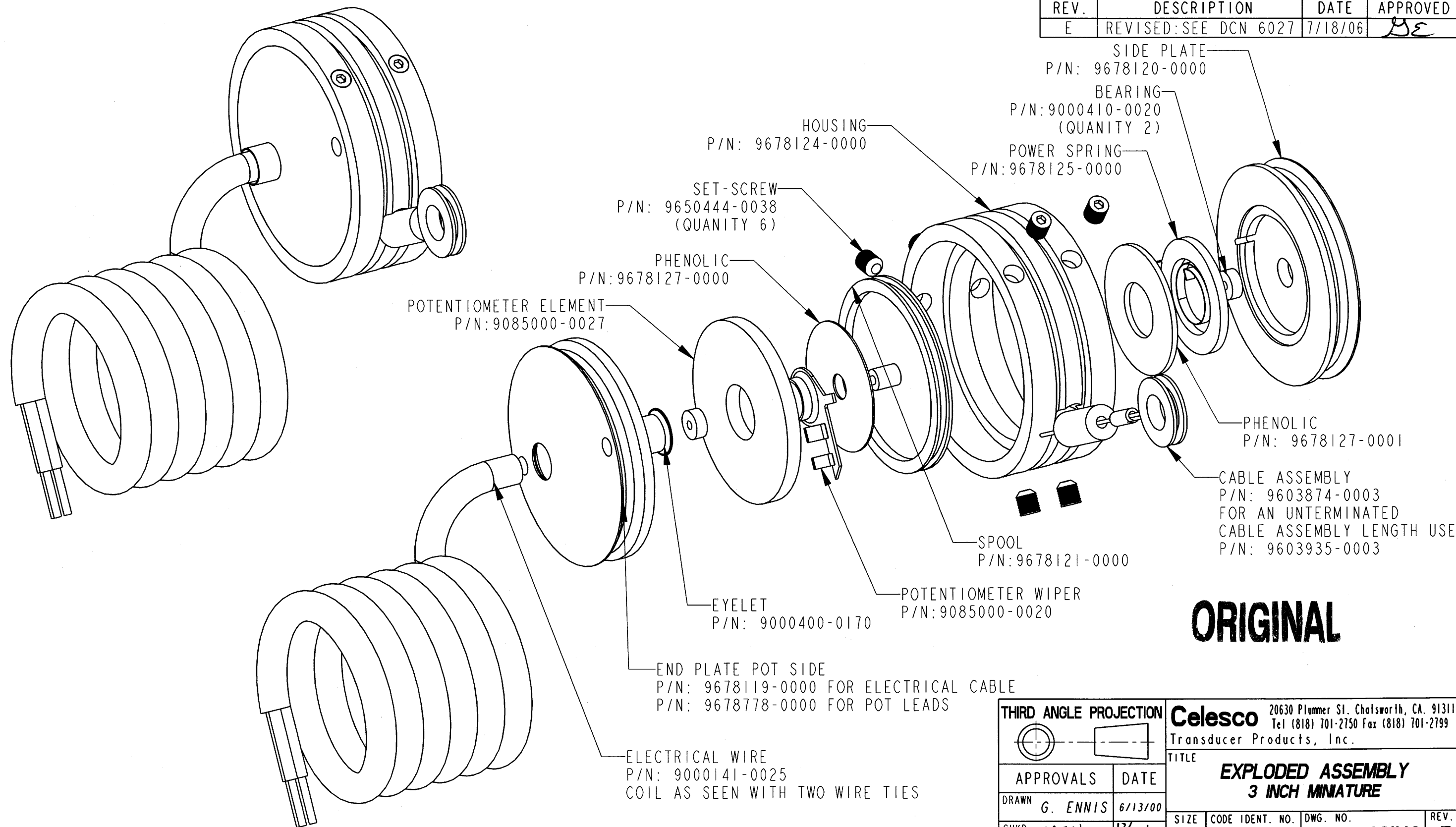


REVISIONS			
REV.	DESCRIPTION	DATE	APPROVED
E	REVISED: SEE DCN 6027	7/18/06	BE



ORIGINAL

THIRD ANGLE PROJECTION	
APPROVALS	DATE
DRAWN G. ENNIS	6/13/00
CHKD MSK	12/26/07

Celeco 20630 Plummer St. Chatsworth, CA. 91311 Tel (818) 701-2750 Fax (818) 701-2799 Transducer Products, Inc.			
TITLE			
EXPLODED ASSEMBLY 3 INCH MINIATURE			
SIZE	CODE IDENT. NO.	DWG. NO.	REV.
B	52158	621140	E

NOTES: UNLESS OTHERWISE SPECIFIED

DO NOT SCALE DRAWING

SCALE: NONE SHEET 1 OF 1

