

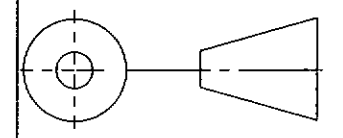
REVISIONS			
REV.	DESCRIPTION	DATE	APPROVED
A	SEE DCN: 6800	7/10/2009	

ORIGINAL

22	9676792-0000	GUIDE, CABLE, MOLDED NYLON	1
21	SEE SHEET 4	CONNECTOR	1
20	9000320-0003	GASKET, RUBBER, PSNXDCR	AR
19	9011264-4404	SSCR, 0.112-40X3/16, SKT HD, BLOX	2
18	9650444-0193	MSCR CRES 0.164-32X0.31 XRSFLH	2
17	SEE TABLE 1	MSCR CRES, XRSPNH	2
16	SEE TABLE 3	CSCR .164-32, SKT HD, ST STL	2
15	9650444-0121	MSCR CRES 0.112-40X0.75 XRSPNH	1
14	9650444-0216	CSCR .164-32X.44 SKT HD, ST STL	2
13	9000410-0001	BEARING .375 X .875 PER 650627	2
12	SEE TABLE 2	POTENTIOMETER	1
11	9000400-0173	WASHER, SHIM, 10X16X0.3, ST STL	1
10	9679942-0000	SPCR, 1/4OD, #4X.50LG, PER 679942	1
9	9679940-0000	BRACKET, POT, PT1A	1
8	SEE TABLE 1	SUBASSY, SPNG, PT101	1
7	SEE TABLE 1	SUBASSY, CABLE, 0.019 PER 603755	1
6	SEE TABLE 1	COVER, PT101	1
5	SEE TABLE 1	BASEPLATE, PSNXDCR, AL,	1
4	9673531-0001	PLATE, SPG-MTG SIDE, PT101-BLACK	1
3	9673532-0001	PLATE, POT-MTG SIDE, PT101-BLACK	1
2	SEE TABLE 1	SPOOL, ALUM, PT101	1
1	SEE TABLE 1	FRAME, PSNXDCR	1
ITEM NO.	PART NUMBER	DESCRIPTION	QTY

INFORMATION AND DATA SET FORTH HEREIN ARE DISCLOSED IN CONFIDENCE AND ARE PROPRIETARY TO AND THE PROPERTY OF CELESCO TRANSDUCER PRODUCTS INC. AND SHALL NOT BE USED, DUPLICATED, DISCLOSED OR TRANSFERRED, IN WHOLE OR IN PART, FOR ANY PURPOSE, WITHOUT THE EXPRESS PRIOR WRITTEN CONSENT OF CELESCO TRANSDUCER PRODUCTS INC.

THIRD ANGLE PROJECTION



celesco 20630 Plummer St
Chatsworth, CA. 91311
Tel: (818) 701-2750 Fax: (818) 701-2799
www.celesco.com

TITLE
**ASSEMBLY DRAWING
PT101 SERIES, 2-60 INCH**

APPROVALS	DATE
DRAWN A. ALVAREZ	03/02/09
CHKD E. GARCIA	7/10/2009

SIZE	CODE IDENT. NO	DWG. NO.	REV
B	52158	PS-162	A

DO NOT SCALE DRAWING

SCALE: 1:1 SHEET 1 OF 8

TABLE 1 (POTENTIOMETER ONLY)

TOP CABLE EXIT					
	2,10,20 INCH	5,25,50 INCH	15,30 INCH	40 INCH	60 INCH
COVER - 6 PIN NYLON - 6 PIN METAL - 25 FT CABLE	9673984-0001	9673985-0001	9673984-0002	9673985-0002	9673920-0000
COVER TERMINAL STRIP	9674424-0001	9674424-0003	9674424-0002	9674424-0004	9677198-0000
BASEPLATE	9673987-0000	9673987-0000	9673987-0000	9673987-0000	9673921-0000
FRAME	9673966-0003	9673967-0002	9673966-0004	9676285-0001	9674184-0002
SCREW, COVER	9007121-4405	9007121-4405	9007121-4405	9007121-4405	9007121-4405
BOTTOM CABLE EXIT					
COVER - 6 PIN NYLON - 6 PIN METAL - 25 FT CABLE	9674195-0000	9674195-0000	9674195-0000	9674195-0000	9678169-0000
COVER TERMINAL STRIP	9679831-0000	9679831-0000	9679831-0000	9679831-0000	9679929-0000
BASEPLATE	9674194-0000	9673987-0000	9673987-0000	9673987-0000	9673921-0000
FRAME	9674193-0001	9673967-0002	9673966-0004	9676285-0001	9674184-0002
SCREW, COVER	9007121-8305	9007121-8305	9007121-8305	9007121-8305	9007121-8305
FRONT CABLE EXIT					
COVER - 6 PIN NYLON - 6 PIN METAL - 25 FT CABLE	9677754-0000	9677754-0003	9677754-0001	9677754-0002	9677978-0000
COVER TERMINAL STRIP	N/A	N/A	N/A	N/A	N/A
BASEPLATE	9673987-0000	9673987-0000	9673987-0000	9673987-0000	9673921-0000
FRAME	9674405-0001	9674405-0003	9674405-0002	9677755-0000	9674835-0000
SCREW, COVER	9007121-8305	9007121-8305	9007121-8305	9007121-8305	9007121-8305
REAR CABLE EXIT					
COVER - 6 PIN NYLON - 6 PIN METAL - 25 FT CABLE	9674403-0001	9674403-0003	9674403-0002	9674403-0004	9674836-0000
COVER TERMINAL STRIP	9677753-0001	9677753-0003	9677753-0002	9677753-0004	9679753-0000
BASEPLATE	9674404-0000	9674404-0000	9674404-0000	9674404-0000	9673921-0000
FRAME	9674405-0001	9674405-0003	9674405-0002	9677755-0000	9674835-0000
SCREW, COVER	9007121-4405	9007121-4405	9007121-4405	9007121-4405	9007121-4405
SPOOL (ALL EXITS)					
SPOOL	9678341-0001	9678341-0004	9678341-0002	9678341-0003	9674185-0000
CABLE KIT	3 9603755-XXXX				

3 DASH NUMBER OF CABLE ASSEMBLY EQUALS THE RANGE OF THE TRANSDUCER IN INCHES.

TABLE 2

	2 AND 5 INCH	10,15 AND 25 INCH	20,30,40,50, AND 60 INCH
POTENTIOMETER 500 Ω	1 TURN 9083000-0052	5 TURN 9085000-0004	10 TURN 9085000-0003
POTENTIOMETER 1K Ω	1 TURN 9083000-0053	5 TURN 9085000-0011	10 TURN 9085000-0006
POTENTIOMETER 5K Ω	1 TURN 9080000-0001	5 TURN 9085000-0013	10 TURN 9085000-0010
POTENTIOMETER 10K Ω	1 TURN 9080000-0003	5 TURN 9085000-0001	10 TURN 9085000-0002

TABLE 3

	2 THRU 50 IN	60 INCH	SPRING TURNS ¹
SPRING ASSY (STD TENSION)	9603902-0000 9650444-0213	9603557-0000 9650444-0218	12 (SEE FIG 1)
SPRING ASSY (HI TENSION)	9603569-0000 9650444-0218	9603569-0000 9650444-0218	5 (SEE FIG 2)

1 SPRING TURNS REFERS TO TOTAL NUMBER OF SPRING TURNS AFTER MEASURING CABLE HAS BEEN FED ONTO SPOOL.

2 LUBRICATE WITH 6 DROPS OF SILICONE OIL 9000000-0001 USING DISPENSER 9650601-0000.

ORIGINAL

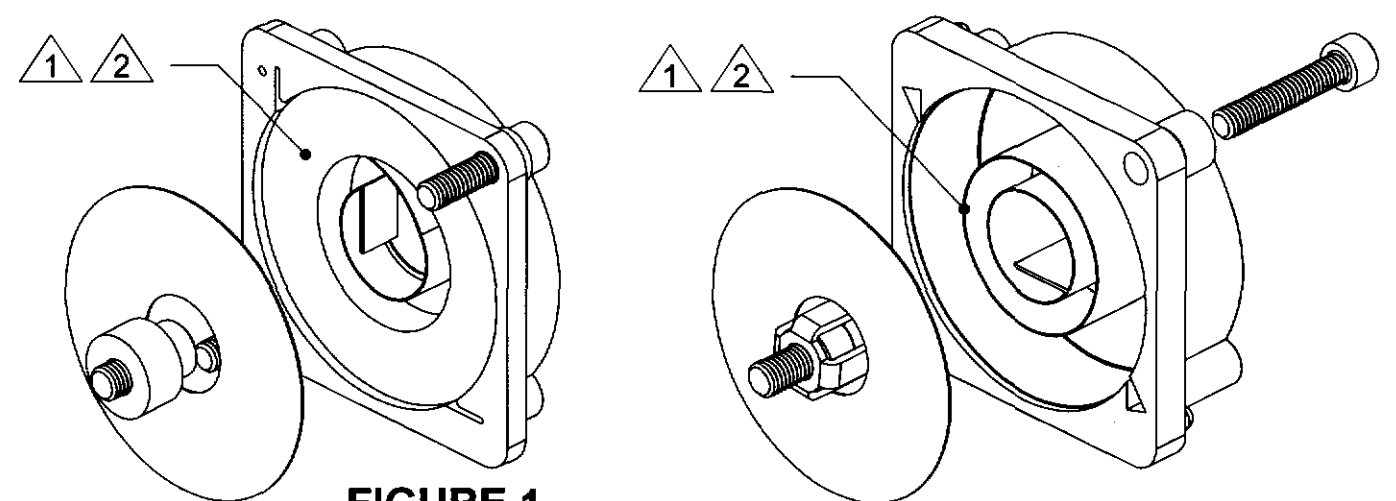
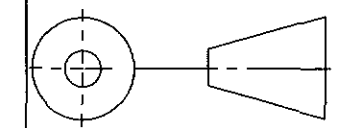


FIGURE 1

FIGURE 2

INFORMATION AND DATA SET FORTH HEREIN ARE DISCLOSED IN CONFIDENCE AND ARE PROPRIETARY TO AND THE PROPERTY OF CELESCO TRANSDUCER PRODUCTS INC. AND SHALL NOT BE USED, DUPLICATED, DISCLOSED OR TRANSFERRED, IN WHOLE OR IN PART, FOR ANY PURPOSE, WITHOUT THE EXPRESS PRIOR WRITTEN CONSENT OF CELESCO TRANSDUCER PRODUCTS INC.

THIRD ANGLE PROJECTION

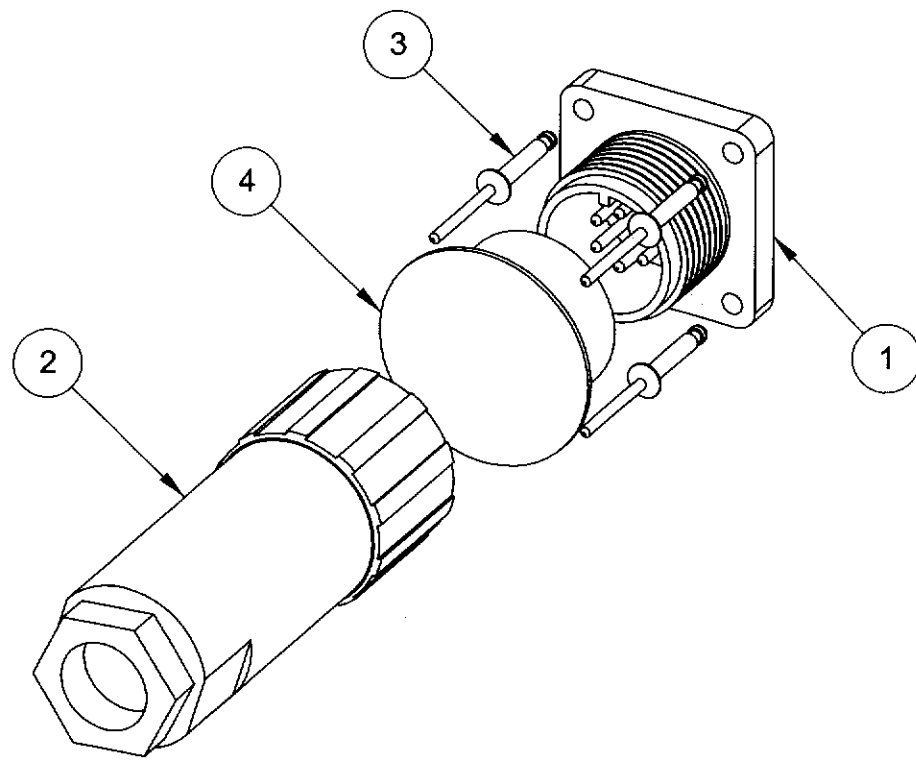


celesco Transducer Products Inc.
20630 Plummer St
Chatsworth, CA. 91311
Tel:(818)701-2750 Fax:(818)701-2799
www.celesco.com

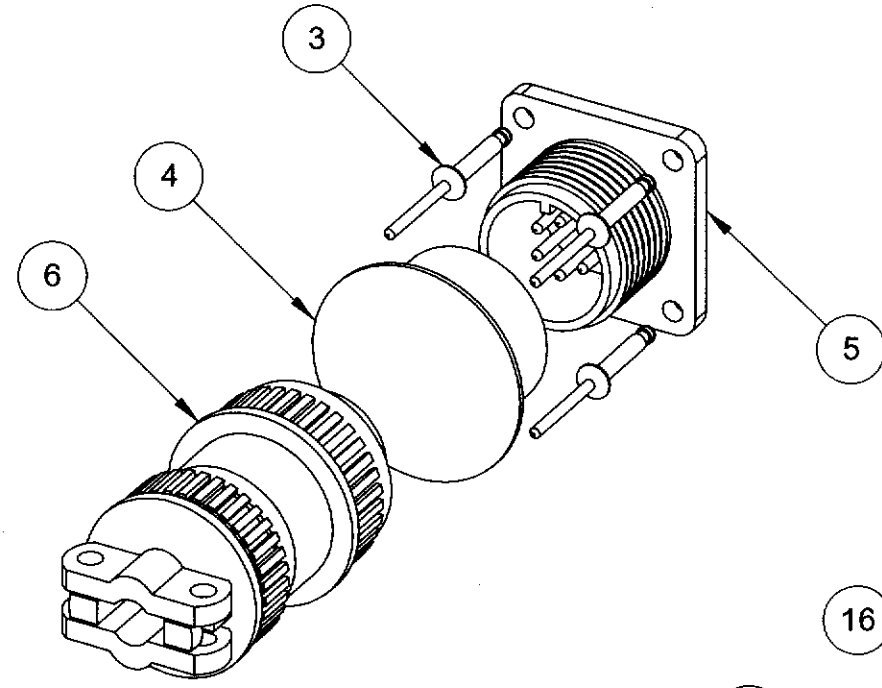
**ASSEMBLY DRAWING
PT101 SERIES, 2-60 INCH**

APPROVALS		DATE		SIZE	CODE IDENT. NO	DWG. NO.	REV
DRAWN	A.ALVAREZ	03/02/09					
CHKD	E.GARCIA	7/10/2009		DO NOT SCALE DRAWING		SCALE: 1:2	SHEET 2 OF 8

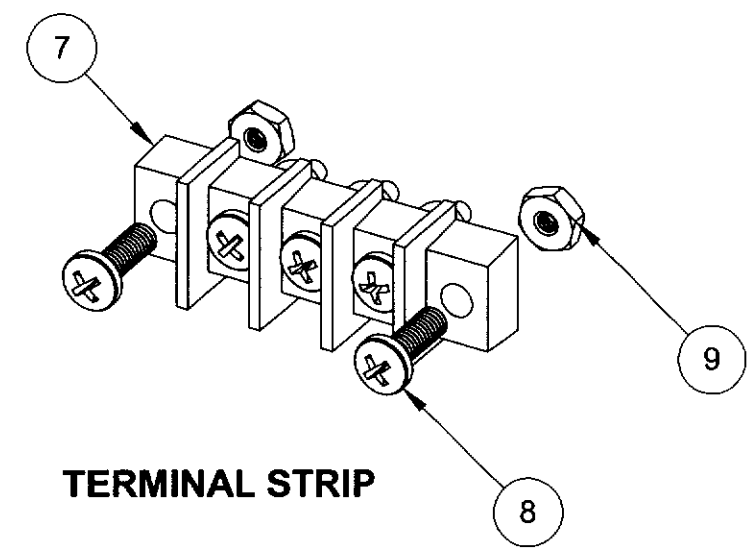
A
B
C
D
E
F
G



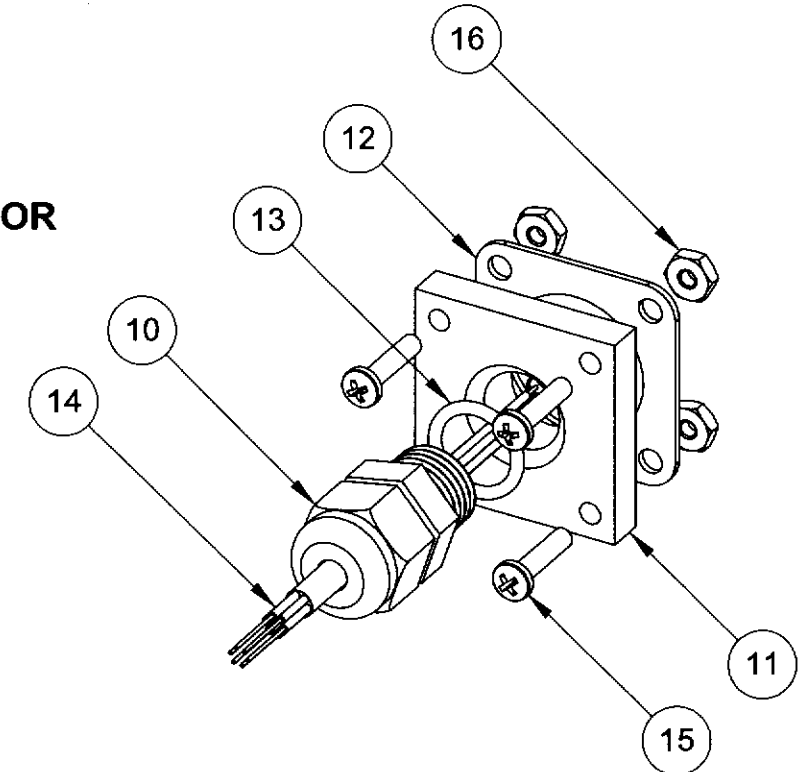
6 PIN PLASTIC CONNECTOR



6 PIN METAL CONNECTOR



TERMINAL STRIP



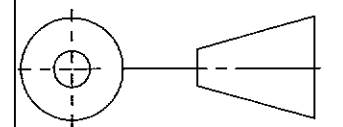
25-FT INSTRUMENTATION CABLE

ORIGINAL

16	9001221-4411	NUT CRES 0.112-40 HEX	4
15	9007121-4409	MSCR CRES 0.112-40X0.50 XRSPNH	4
14	9000141-0026	CABLE,6COND,24GA,PER 650464	25FT
13	9000312-0131	SEAL,O'RING,NITRILE,0.426 ID	1
12	9000320-0006	GASKET,FLANGED CONN,14 SHELL	1
11	9676670-0001	ADAPTER,UNDERWTR CABLE,ALUM	1
10	9032000-0015	STRAIN RELIEF,LIQ-TIGHT,GRAY	1
9	9001221-8311	NUT CRES 0.164-32 HEX	4
8	9007121-8309	MSCR CRES 0.164-32X0.50 XRSPNH	4
7	9034300-0012	BLOCK,TRML-INSD,3POS,7/16 CTRS	1
6	9036810-0001	CONN,PLUG,STR,14 SHELL,6 SKT	1
5	9035810-0001	CONN,RCPT,BOX-MTG,14SHELL,6PIN	1
4	9640087-0004	CAP,DUST,POLYETHYLENE,RED	1
3	9650479-0000	RIVET,POP,PER 650479	4
2	9036830-0001	CONN,PLUG,STR,14 SHELL,6 SKT	1
1	9035830-0001	CONN,RCPT,BOX-MTG,14SHELL,6PIN	1
ITEM NO.	PART NUMBER	DESCRIPTION	QTY.

INFORMATION AND DATA SET FORTH HEREIN ARE DISCLOSED IN CONFIDENCE AND ARE PROPRIETARY TO AND THE PROPERTY OF CELESCO TRANSDUCER PRODUCTS INC. AND SHALL NOT BE USED, DUPLICATED, DISCLOSED OR TRANSFERRED, IN WHOLE OR IN PART, FOR ANY PURPOSE, WITHOUT THE EXPRESS PRIOR WRITTEN CONSENT OF CELESCO TRANSDUCER PRODUCTS INC.

THIRD ANGLE PROJECTION



celesco
Transducer Products Inc.
20630 Plummer St
Chatsworth, CA. 91311
Tel:(818)701-2750 Fax:(818)701-2799
www.celesco.com

TITLE
**ASSEMBLY DRAWING
PT101 SERIES, 2-60 INCH**

APPROVALS	DATE
DRAWN A.ALVAREZ	03/02/09
CHKD E.GARCIA	7/10/2009

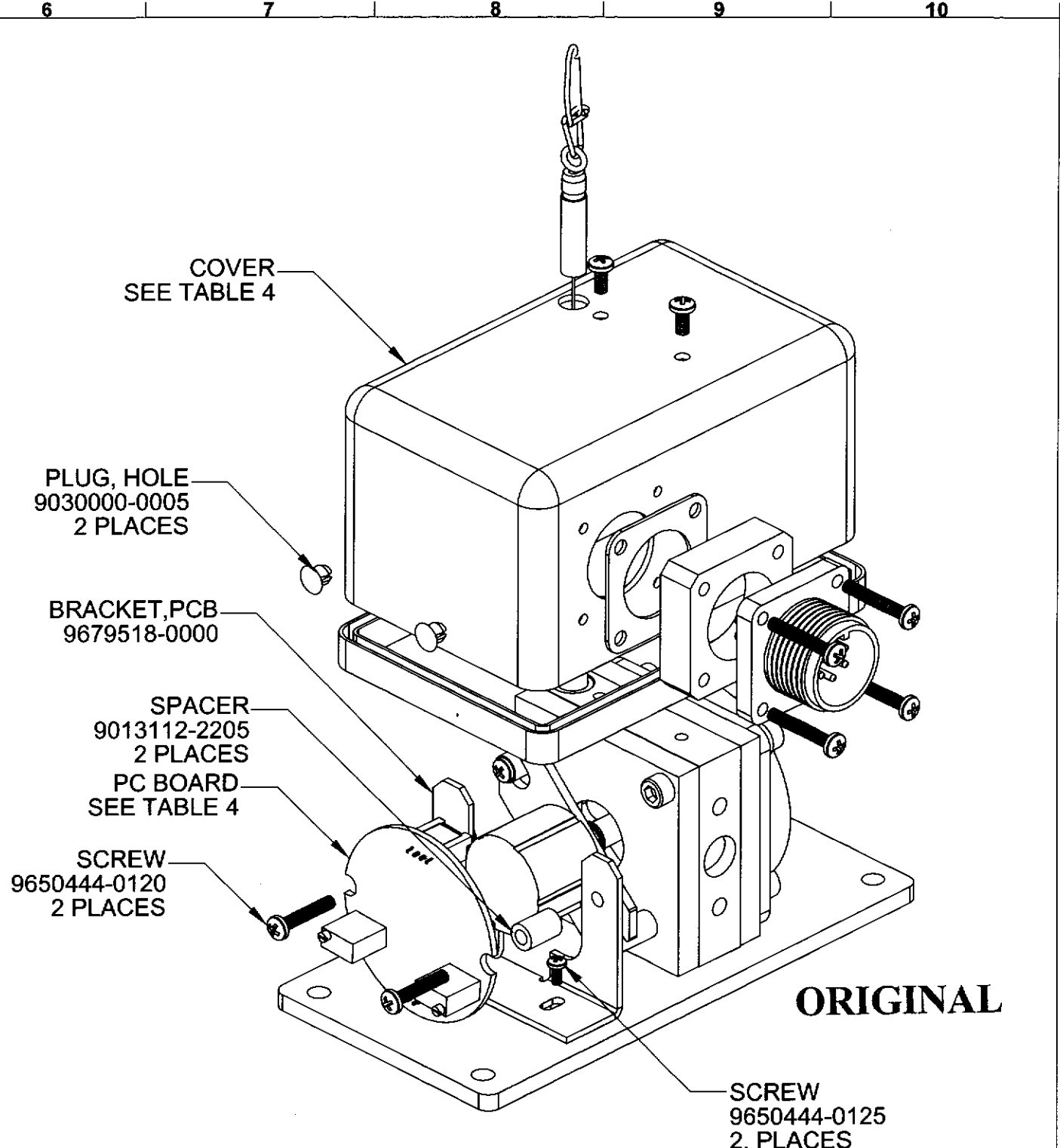
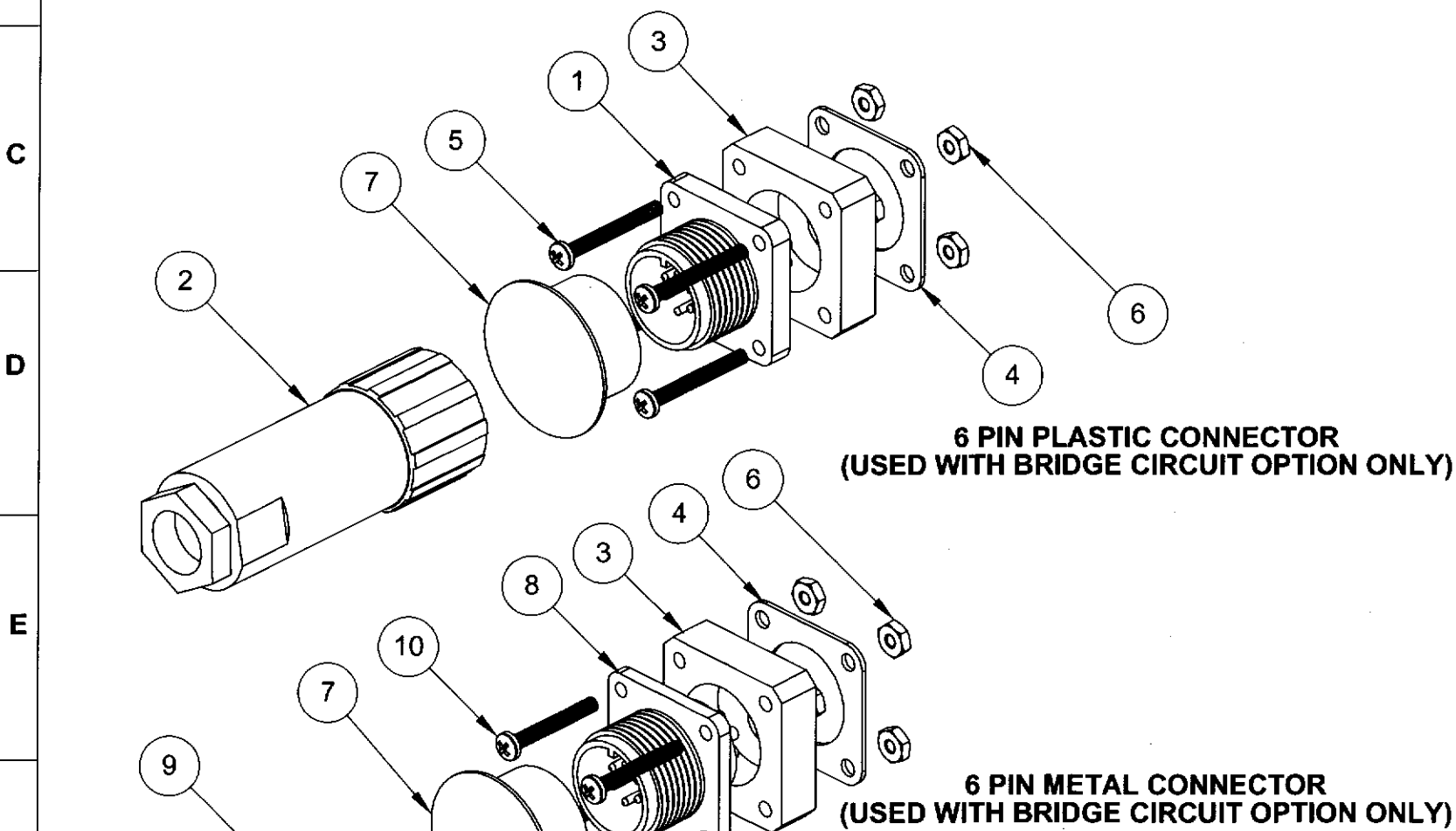
SIZE	CODE IDENT. NO.	DWG. NO.	REV
B	52158	PS-162	A

DO NOT SCALE DRAWING

SCALE: 1:1 SHEET 3 OF 8

TABLE 4 (TOP EXIT, WITH BRIDGE CIRCUIT)

	2,10,20 INCH	5,25,50 INCH	15,30 INCH	40 INCH	60 INCH
A	FIXED BRIDGE CIRCUIT				
	9603980-0016				
	COVER - 6 PIN NYLON - 6 PIN METAL - 25 FT CABLE				
	9677649-0004	9677649-0001	9677649-0005	9677649-0002	9677649-0003
B	ADJUSTABLE BRIDGE CIRCUIT				
	9603980-0013				
	COVER - 6 PIN NYLON - 6 PIN METAL - 25 FT CABLE				
	9677563-0000	9677563-0002	9677563-0001	9677563-0003	9677913-0000
	BASEPLATE				
	9677562-0000	9677562-0000	9677562-0000	9677562-0000	9677759-0000



10	9650444-0158	MSCR CRES 0.112-40X7/8 PNHDXRS	4
9	9036810-0001	CONN,PLUG,STR,14 SHELL,6 SKT	1
8	9035810-0001	CONN,RCPT,BOX-MTG,14SHELL,6PIN	1
7	9640087-0004	CAP,DUST,POLYETHYLENE,RED	1
6	9001221-4411	NUT CRES 0.112-40 HEX	4
5	9650444-0170	MSCR CRES 0.112-40X1.00 PNHDXR	4
4	9000320-0006	GASKET,FLANGED CONN,14 SHELL	1
3	9679565-0000	BLOCK,CONNECTOR,PT5A/PT101	1
2	9036830-0001	CONN,PLUG,STR,14 SHELL,6 SKT	1
1	9035830-0001	CONN,RCPT,BOX-MTG,14SHELL,6PIN	1
ITEM NO.	PART NUMBER	DESCRIPTION	QTY

INFORMATION AND DATA SET FORTH HEREIN ARE DISCLOSED IN CONFIDENCE AND ARE PROPRIETARY TO AND THE PROPERTY OF CELESCO TRANSDUCER PRODUCTS INC. AND SHALL NOT BE USED, DUPLICATED, DISCLOSED OR TRANSFERRED, IN WHOLE OR IN PART, FOR ANY PURPOSE, WITHOUT THE EXPRESS PRIOR WRITTEN CONSENT OF CELESCO TRANSDUCER PRODUCTS INC.

THIRD ANGLE PROJECTION

celesco 20630 Plummer St
Chatsworth, CA. 91311
Tel:(818)701-2750 Fax:(818)701-2799
www.celesco.com

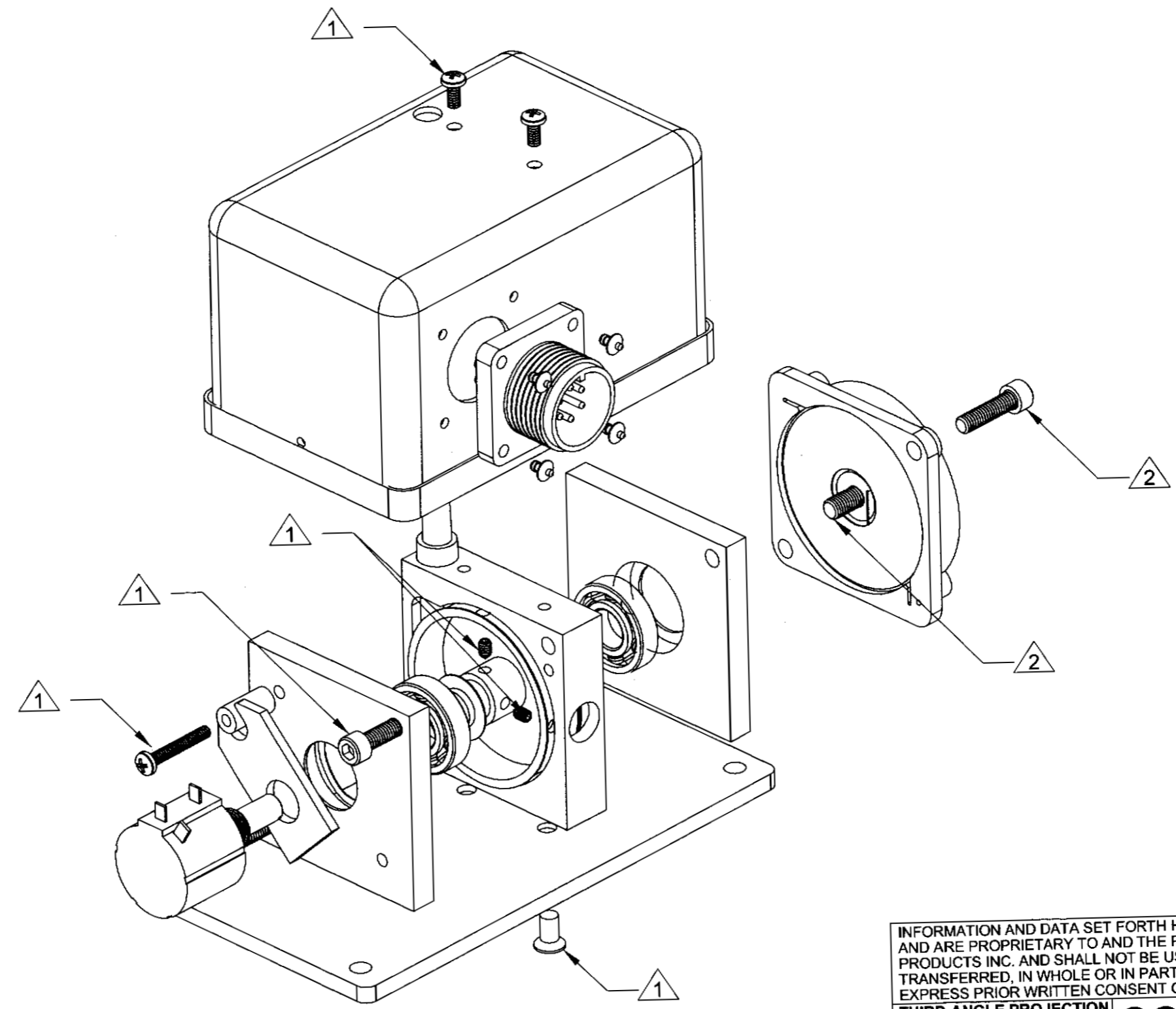
Transducer Products Inc.

**ASSEMBLY DRAWING
PT101 SERIES, 2-60 INCH**

APPROVALS	DATE	SIZE	CODE IDENT. NO	DWG. NO.	REV
DRAWN A.ALVAREZ	03/02/09	B	52158	PS-162	A
CHKD E.GARCIA	7/10/2009	DO NOT SCALE DRAWING		SCALE: 1:1	SHEET 4 OF 8

A
B
C
D
E
F

1 2 3 4 5 6 7 8 9 10



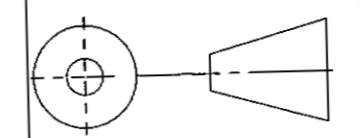
ORIGINAL

1 APPLY LOCTITE PRIMER 7649, ALLOW TO DRY, THEN USING PINK LOCTITE DISPENSER TIP P/N: 9650602-0001, APPLY 2 DROPS OF LOCITE 222.

2 APPLY 2 DROPS OF LOCTITE 425 ONLY, USE BLUE LOCTITE DISPENSER TIP P/N: 9650602-0000.

INFORMATION AND DATA SET FORTH HEREIN ARE DISCLOSED IN CONFIDENCE AND ARE PROPRIETARY TO AND THE PROPERTY OF CELESCO TRANSDUCER PRODUCTS INC. AND SHALL NOT BE USED, DUPLICATED, DISCLOSED OR TRANSFERRED, IN WHOLE OR IN PART, FOR ANY PURPOSE, WITHOUT THE EXPRESS PRIOR WRITTEN CONSENT OF CELESCO TRANSDUCER PRODUCTS INC.

THIRD ANGLE PROJECTION



celesco
Transducer Products Inc.
20630 Plummer St
Chatsworth, CA. 91311
Tel: (818) 701-2750 Fax: (818) 701-2799
www.celesco.com

TITLE
**ASSEMBLY DRAWING
PT101 SERIES, 2-60 INCH**

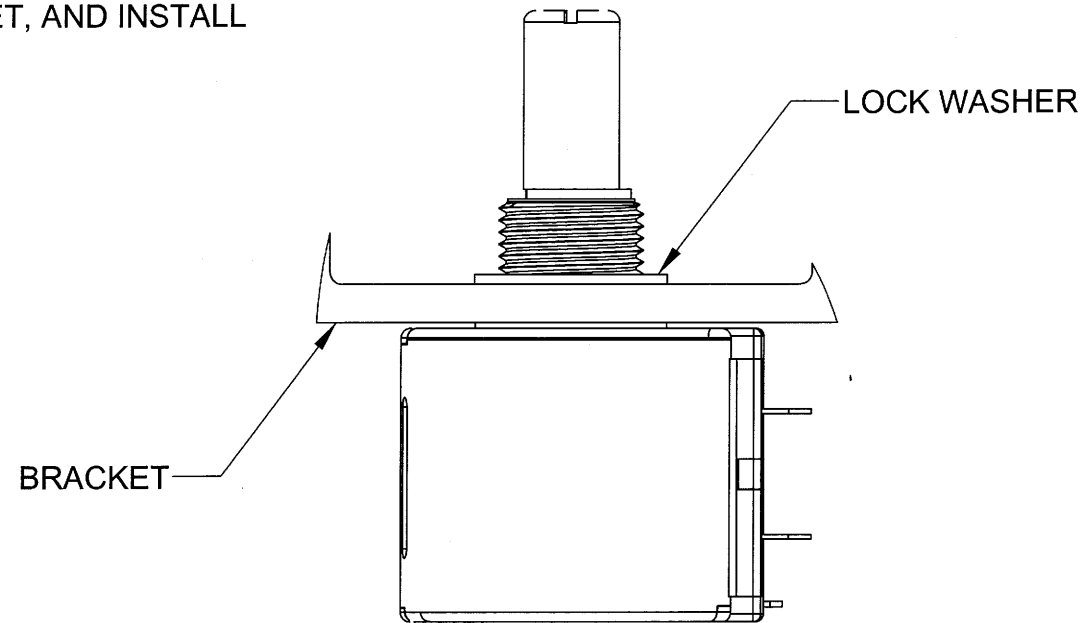
APPROVALS		DATE		SIZE	CODE IDENT. NO	DWG. NO.	REV
DRAWN	A. ALVAREZ	03/02/09		B	52158	PS-162	A
CHKD	E. GARCIA	7/10/2009					
DO NOT SCALE DRAWING				SCALE: 1:1		SHEET 6 OF 8	

FILE: 7.3_9 ANSI B, Issued Date: 08/31/04, Revision B

CONTROLLED

A

1. INSERT POT THROUGH HOLE IN BRACKET, AND INSTALL WASHER AGAINST BRACKET.

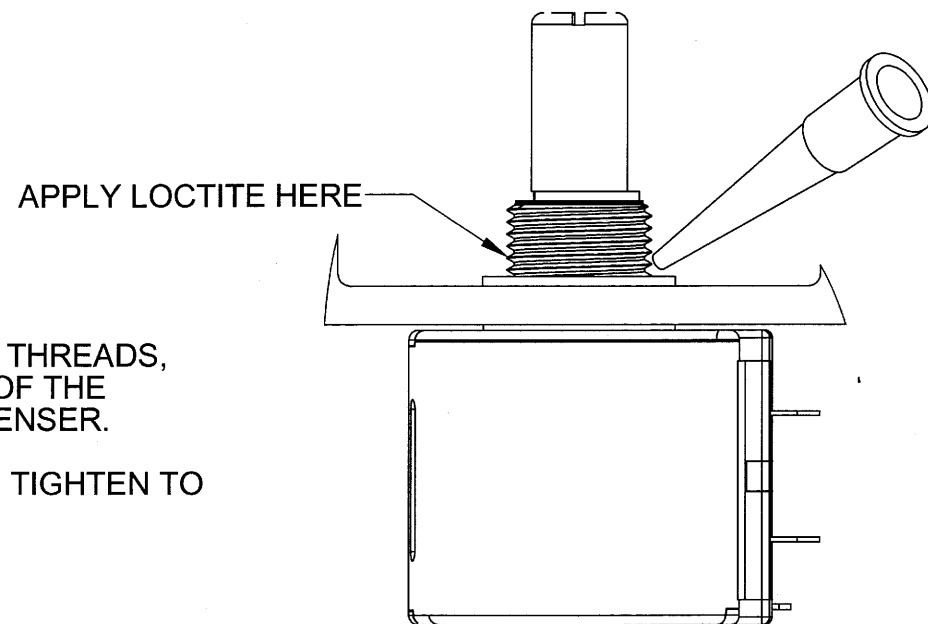


B

C

D

E



2. APPLY 1 DROP OF LOCTITE 222 TO THE THREADS, APPROX 1-2 THREADS FROM THE TOP OF THE LOCKWASHER USING A BLUE TIP DISPENSER.
3. ATTACH NUT TO THREADS OF POT AND TIGHTEN TO 20-25 IN-LBS OF TORQUE.

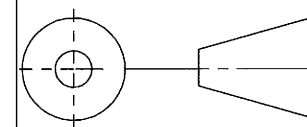
F

G

ORIGINAL

INFORMATION AND DATA SET FORTH HEREIN ARE DISCLOSED IN CONFIDENCE AND ARE PROPRIETARY TO AND THE PROPERTY OF CELESCO TRANSDUCER PRODUCTS INC. AND SHALL NOT BE USED, DUPLICATED, DISCLOSED OR TRANSFERRED, IN WHOLE OR IN PART, FOR ANY PURPOSE, WITHOUT THE EXPRESS PRIOR WRITTEN CONSENT OF CELESCO TRANSDUCER PRODUCTS INC.

THIRD ANGLE PROJECTION



celesco 20630 Plummer St
Chatsworth, CA. 91311
Tel:(818)701-2750 Fax:(818)701-2799
www.celesco.com

TITLE
**ASSEMBLY DRAWING
PT101 SERIES, 2-60 INCH**

APPROVALS		DATE
DRAWN	A.ALVAREZ	03/02/09
CHKD	E.GARCIA	7/10/2009

SIZE	CODE IDENT. NO	DWG. NO.	REV
B	52158	PS-162	A

DO NOT SCALE DRAWING SCALE: 2:1 SHEET 7 OF 8

