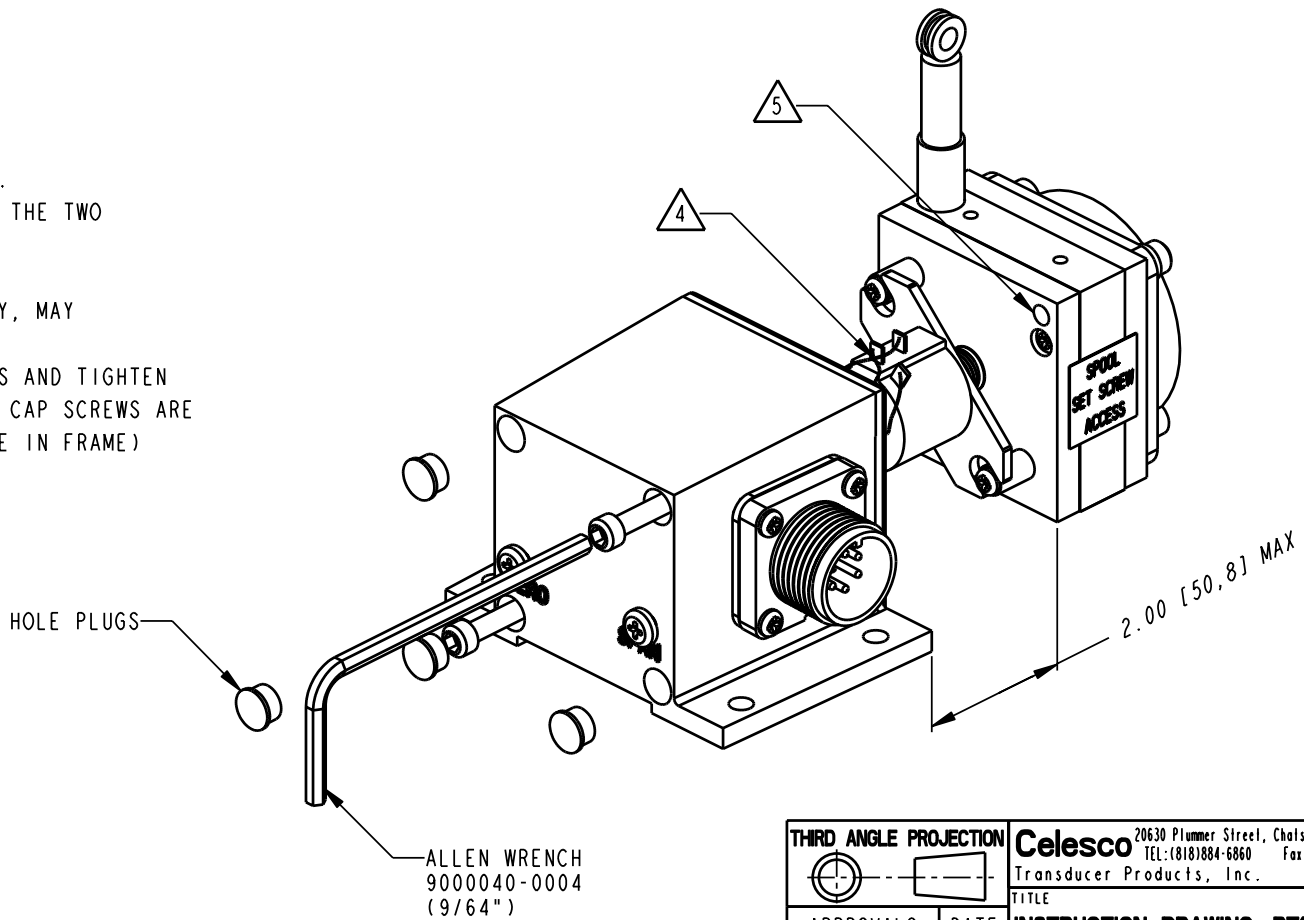


INFORMATION AND DATA SET FORTH HEREIN ARE DISCLOSED IN CONFIDENCE AND ARE PROPRIETARY TO AND THE PROPERTY OF CELESCO TRANSDUCER PRODUCTS INC. AND SHALL NOT BE USED, DUPLICATED, DISCLOSED OR TRANSFERRED, IN WHOLE OR IN PART, FOR ANY PURPOSE, WITHOUT THE EXPRESS PRIOR WRITTEN CONSENT OF CELESCO TRANSDUCER PRODUCTS, INC.

REVISIONS			
REV.	DESCRIPTION	DATE	APPROVED
A	RELEASE: SEE DCN 003382	03/08/03	

CHANGING CABLE EXIT ORIENTATION:

1. REMOVE THE FOUR HOLE PLUGS FROM COVER.
2. USING THE 9/64" ALLEN WRENCH, UNSCREW THE TWO SOCKET HEAD CAP SCREWS.
3. ROTATE COVER TO DESIRED ORIENTATION.
4. DO NOT OVER-EXTEND COVER FROM ASSEMBLY, MAY CAUSE ELECTRICAL CABLE BREAKAGE.
5. REPLACE THE TWO SOCKET HEAD CAP SCREWS AND TIGHTEN WITH ALLEN WRENCH. (NOTE: SOCKET HEAD CAP SCREWS ARE RE-ASSEMBLED TO ORIGINAL THREADED HOLE IN FRAME)
6. REPLACE THE FOUR HOLE PLUGS.



THIRD ANGLE PROJECTION				CeleSCO 20630 Plummer Street, Chatsworth CA. 91311 TEL: (818)884-6860 Fax: (818)340-1175 Transducer Products, Inc.	
APPROVALS		DATE		TITLE	
DRAWN A. ALVAREZ		03/08/03		INSTRUCTION DRAWING, PT1-SERIES CHANGING CABLE EXIT ORIENTATION	
CHKD		SIZE	CODE IDENT. NO.	DWG. NO.	REV.
		B	52158	632168	A
DO NOT SCALE DRAWING		SCALE: 1 : 1		SHEET 1 OF 1	